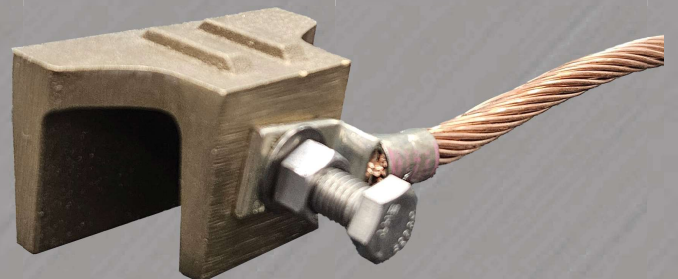
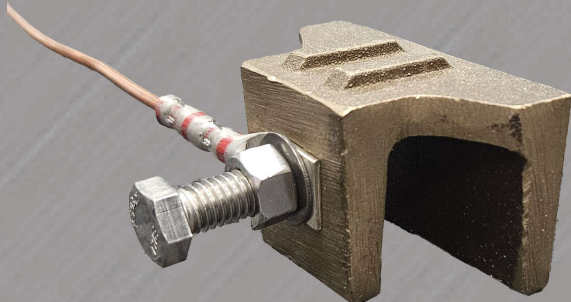
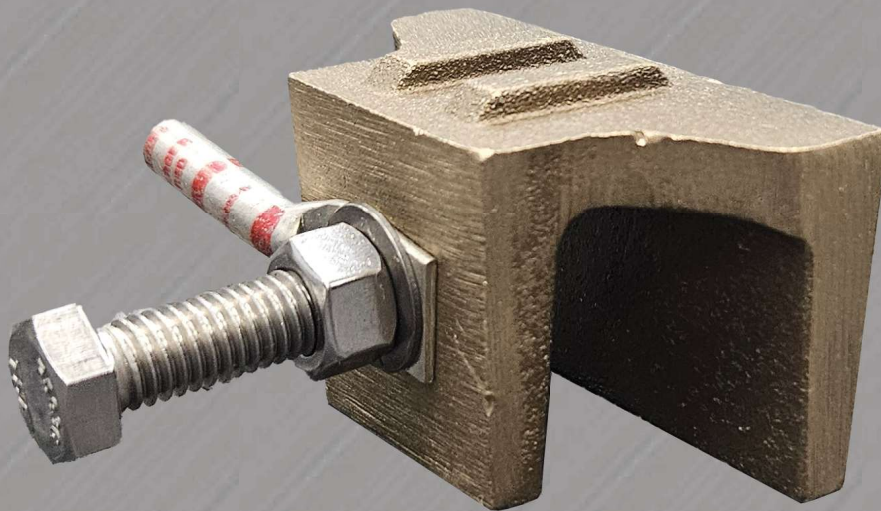


HARGER®



Tower Bonding Clamp

Grounding Points for Tower Equipment and Structures




FEATURES

Harger Tower Bonding Clamps consist of a heavy-duty cast bronze clamp with a range of single hole and double hole lugs. They provide a secure grounding point for structures including communication towers. Compression lugs come attached to the clamp and ready for field termination. Tamper-proof hardware options are available for theft deterrence.

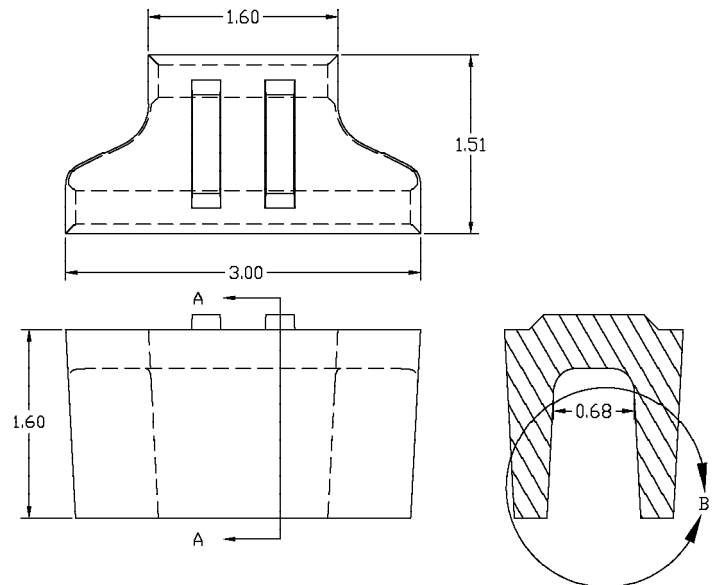
- Simple one or two bolt installation
- Wide flange range (0.125" - 0.625")
- UL 467 Listed (10 AWG to 1/0)

One Hole Lugs		
Harger SKU	Wire Size	Harger Lug
TBC10	#10	GECL103/8
TBC8	#8	GECL83/8
TBC6	#6	GECL63/8
TBC4	#4	GECL43/8
TBC2	#2	GECL23/8
TBC1/0	1/0	GECL1/0



 us Listed 467

Two Hole Lugs		
Harger SKU	Wire Size	Harger Lug
TBC210	#10	GECL102
TBC28	#8	GECLB82
TBC26	#6	GECLB62
TBC24	#4	GECLB42
TBC22	#2	GECLB22
TBC21/0	1/0	GECLB1/02



HARGER[®]

grounding | exothermic | lightning protection

301 Ziegler Dr • Grayslake, IL 60030

800.842.7437 • www.harger.com • sales@harger.com

