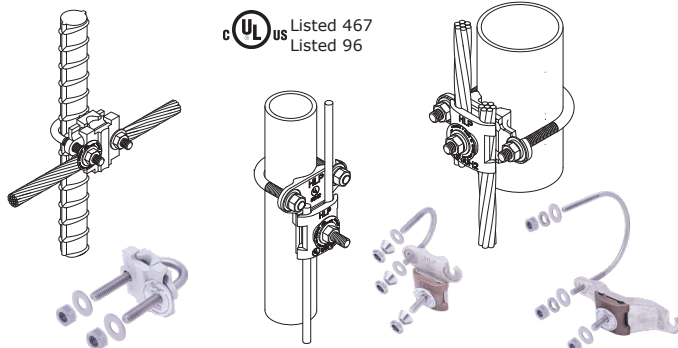


LINE CARD



Grounding • Exothermic • Lightning Protection

Mechanical Bonding Clamps

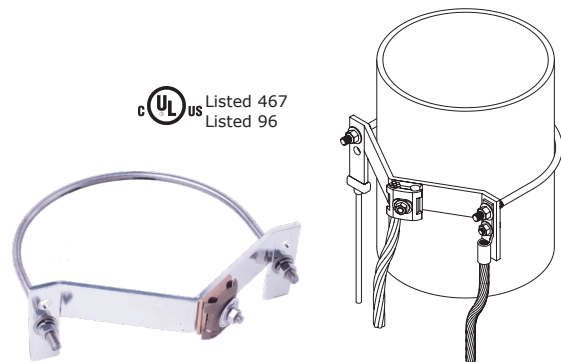


cUL_{us} Listed 467
Listed 96

CPC Pipe Clamps

Part No.	Material	Nom. Pipe Size Range	Pipe Outside Diameter
CPC.5/.75	ETPB*	.5" - .75"	.375" - 1"
CPC1/1.25	ETPB*	1" - 1.25"	0.9375" - 1.7"
CPC1.5/2	ETPB*	1.5" - 2"	1.25" - 2.4"
CPC2.5/3	ETPB*	2.5" - 3"	2.5" - 3.5"
CPC3.5/4	ETPB*	3.5" - 4"	3.375" - 4.5"
CPC5/6	ETPB*	5" - 6"	4.75" - 6.63"

- Conductor range #6 AWG solid through 250 MCM.
- Features "quick connect", bi-directional design.
- Pressed stud ensures a flush mounting surface.
- Silicon Bronze hardware available.
- Suitable for direct burial in earth & concrete.
- Available in Tamper Proof.
- * Electro Tinned Plated Bronze



cUL_{us} Listed 467
Listed 96

UPC Pipe Clamps

Part No.	Material	Nom. Pipe Size
UPC8C	Tinned Copper	8"
UPC10C	Tinned Copper	10"
UPC12C	Tinned Copper	12"

- Provides bi-directional grounding capabilities.
- Mechanical connector to connect ground conductors #6 AWG thru 250 MCM.
- Suitable for direct burial in earth & concrete.
- Available in Tamper Proof.

Some of the connectors on this line card are available with Tamper Proof Hardware.

Cable to Cable Bonding Connectors



cUL_{us} Listed 467
Listed 96

1 Bolt Parallel Connectors

Part No.	Material	Conductor Range
B1BC	Copper	#6 AWG - 250 MCM
TB1BC	ETPB*	#6 AWG - 250 MCM



cUL_{us} Listed 467
Listed 96

1 Bolt Bonding Connectors

Part No.	Material	Conductor Range
208	Copper	#6 AWG - 4/0
208T	ETPB*	#6 AWG - 4/0



cUL_{us} Listed 467
Listed 96

2 Bolt Parallel Connectors

Part No.	Material	Conductor Range
204	Copper	#6 AWG - 250 MCM
204T	ETPB*	#6 AWG - 250 MCM



cUL_{us} Listed 467

Strut Channel Bonding Clamp

Part No.	Material	Conductor Range
SCBC158	ETPB*	#6 AWG - 250 MCM

NOTES:

- Manufactured from high conductivity copper alloy.
- Suitable for direct burial in earth & concrete.
- Available in Tamper Proof.
- *ETPB - Electro Tin Plated Bronze.

Cable to Flat Surface Connectors



cUL^{us} Listed 467
Listed 96

Cable to Flat Metal Connectors

Part No.	Material	Conductor Range
213	Copper	#6 AWG - 250 MCM
213T	ETPB*	#6 AWG - 250 MCM



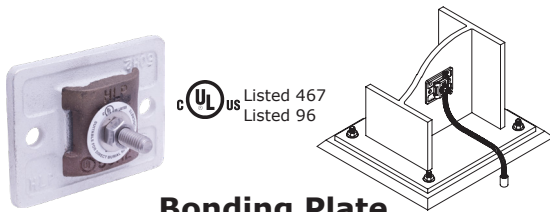
cUL^{us} Listed 467
Listed 96

CFBP

Flange Bonding Clamps

Part No.	Material	Conductor Range
223	Copper	#6 AWG - 500 MCM
223T	ETPB*	#6 AWG - 500 MCM
CFBP	Copper	#6 AWG - 500 MCM
TCFBP	ETPB*	#6 AWG - 500 MCM

- 223 offer 8 square inches of bonding surface.
- FBP series offers over 4 square inches of bonding surface.



cUL^{us} Listed 467
Listed 96

Bonding Plate

Part No.	Material	Conductor Range
217	ETPB*	#6 AWG - 4/0

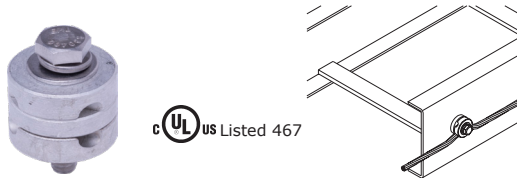


cUL^{us} Listed 467
Listed 96

Tinned Bronze Cable Tray Clamp

Part No.	Material	Conductor Range
TBCTC	ETPB*	#6 Solid AWG - 250 MCM

- Used for bonding galvanized steel or aluminum cable trays to the grounding electrode system.



cUL^{us} Listed 467

Tin Plated Cable Tray Clamp

Part No.	Material	Conductor Size
CRGC6	ETPB*	#6 AWG
CRGC4	ETPB*	#4 AWG

- Used when welded connections are not feasible.
- Unique design allows clamps to form connections at most any angle.
- Specific uses include fabrication under an existing computer room floor.

NOTES:

- Manufactured from high conductivity copper alloy.
 - Suitable for direct burial in earth & concrete.
 - Available in Tamper Proof.
- *ETPB - Electro Tin Plated Bronze.

Fence Fabric Bonding Clamps

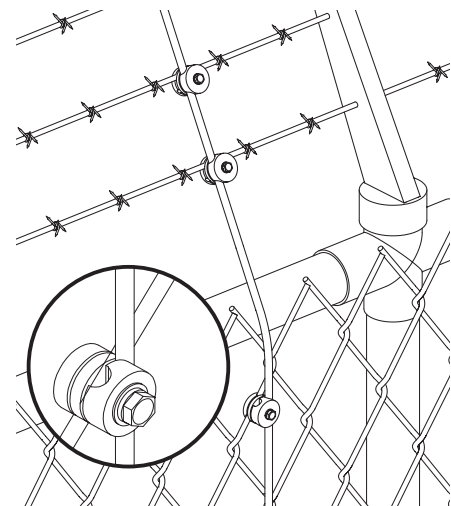
Fence Fabric Clamps

Part No.	Material	Conductor Size
FGC8	ETPB*	#8 AWG
FGC6	ETPB*	#6 AWG
FGC4	ETPB*	#4 AWG
FGC2	ETPB*	#2 AWG
FGC2/0	ETPB*	2/0 AWG
FGC2-4/0**	ETPB*	#2 AWG & 4/0 AWG

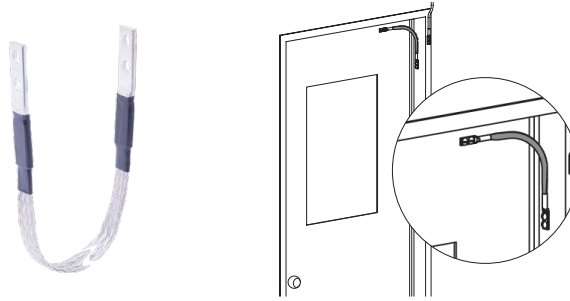
- **Accepts a #2 AWG and/or 4/0 AWG conductor.
- Unique design allows clamp to form connections at most any angle.
- The conductor maintains a direct path to ground while connected to an object that is parallel, perpendicular or in any degree in between.
- Allows for use with most metallic surfaces including galvanized.
- Available in Tamper Proof.
- * Electro Tin Plated Brass



cUL^{us} Listed 467



Bonding Jumpers



Door Jumpers

Part No.	Material	Braid Width	Braid Thickness	Length	Hardware Size
GS12094122A1/4	Tinned Flat Braid Copper	1/2"	.094"	12"	1/4"
GS12094182A1/4	Tinned Flat Braid Copper	1/2"	.094"	18"	1/4"

- Braid is 6 gauge equivalent.
- Spacing between bolt holes is 5/8" on center.
- 2 holes per side.
- Dimensions are nominal size.



US Listed 467

One Hole Bonding Jumpers & Kits

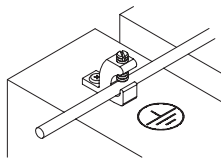
Part No.	Kit	Conductor Type	Length	No. of Holes Per Side	Hardware Size
GJ67G1211/4	No	67G	12"	1	1/4"
GJ67G1211/4KIT	Yes	67G	12"	1	1/4"
GJ67G1811/4	No	67G	18"	1	1/4"
GJ67G1811/4KIT	Yes	67G	18"	1	1/4"

- #6 AWG x 7 Strand Green THW insulation.
- Kit includes all necessary hardware.

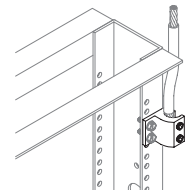
Lay-In Lugs



Listed 467



Listed 486



One-Hole Tinned Copper Lay-In Lug

Part No.	TCLI414DB
Size	1-1/8" x 3/8" x 7/8"
Material	Electro Tin Plated Copper
Accepts Conductors	#4 AWG to #14 AWG
Includes	Slotted Stainless Steel Set Screw
Application	PV Array Frame or Pool Grounding
Features	Corrosion Resistant, UL467 Listed

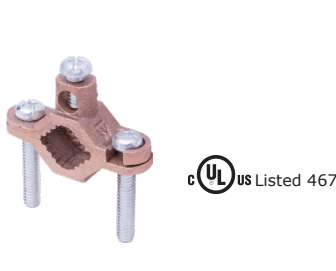
- Tongue accepts #10 screw.

Two-Hole Aluminum Lay-In Lug

Part No.	LI2/0142
Size	1-5/8" x 1-1/2"
Material	Electro Tin Plated Aluminum (6061-T6)
Accepts Conductors	2/0 to #14 AWG
Includes	(2) 3/8" x 1" Hex Head Socket Set Screws
Requires	3/16" Hex Key (not included)
Application	Rack or cabinet grounding
Features	Dual Rated AL/CU, UL486 Listed

- Meets ANSI/TIA-607-C two-hole mounting recommendations.
- Parallel mounting direction allows for better cable management.
- Mounting holes for 1/4" or #12 hardware.

Round Member Grounding Clamps



Pipe Ground Clamps

Part No.	Ground Rod or Pipe Size	Conductor Range
BGC4	1/2" - 1"	#10 - #2 AWG
BGC41.25-2	1-1/4" - 2"	#10 - #2 AWG
BGC42.5-4	2-1/2" - 4"	#10 - #2 AWG

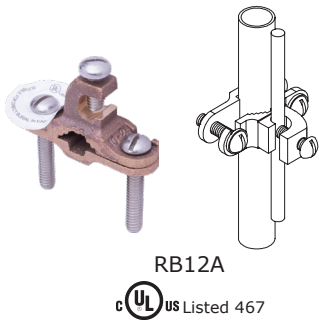
- Meets NFPA 54 requirements for bonding to stainless steel gas piping.



Conduit Bonding Clamps

Part No.	Material	Conduit Range	Conductor Range
BGC4SCS	Bronze	1/2" - 3/4"	#10 - #2 AWG
TBGC4SCS	ETPB*	1/2" - 3/4"	#10 - #2 AWG
TBGC4SCSS**	ETPB*	1/2" - 3/4"	#10 - #2 AWG

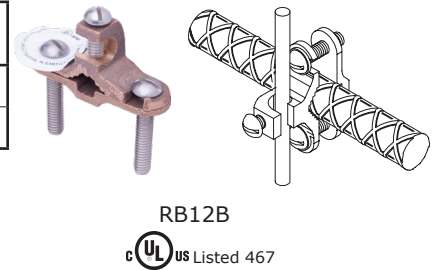
- *ETPB - Electro Tin Plated Bronze.
- **Includes stainless steel hardware.
- Suitable for direct burial in earth & concrete.



Reinforcing Steel & Water Pipe Clamps

Part No.	Reinforcing Steel Range	Pipe Range	Conductor Range
RB12A	3/8" - 1"	1/2" - 1"	10 Sol. - 2 Str.
RB12B	3/8" - 1"	1/2" - 1"	10 Sol. - 2 Str.

- Suitable for direct burial in earth & concrete.
- RB12A is for parallel mounted conductors.
- RB12B is for perpendicular mounted conductors.
- UL Listed



Copper Bonding Terminal Lugs



Copper Terminal Lugs

Part No.	Conductor Range		Hardware Size	Ampere Rating
	Min.	Max.		
GEL1	14 Sol.	8 Str.	#8	35
GEL2	14 Sol.	4 Str.	1/4"	70
GEL3	8 Sol.	1/0 Str.	5/16"	125
GEL4	6 Sol.	250 MCM	3/8"	250



Copper Offset Terminal Lugs

Part No.	Conductor Range		Hardware Size	Ampere Rating
	Min.	Max.		
GEOL1	14 Str.	10 Str.	#8	25
GEOL2	14 Str.	6 Str.	#8	50
GEOL3	8 Str.	2 Str.	1/4"	70
GEOL4	8 Str.	1/0 Str.	1/4"	125
GEOL5	2 Str.	4/0 Str.	3/8"	225
GEOL500MCM	1/0 Str.	500 MCM	1/2"	400



grounding | exothermic | lightning protection

301 Ziegler Dr • Grayslake, IL 60030

800.842.7437 • www.harger.com • sales@harger.com



BGMCLC-3.2024