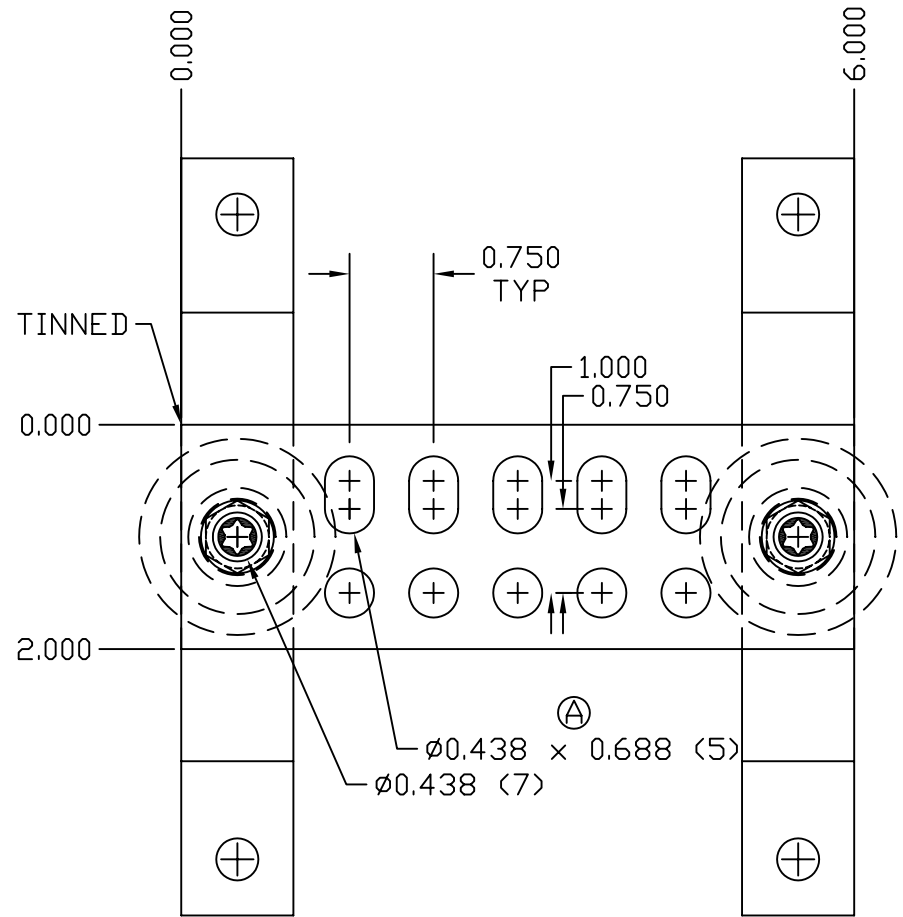


HARDWARE DETAIL



TINNED GROUND BAR ASSEMBLY

EST. WEIGHT 1.9 LBS

APPROVED

AS DRAWN: _____
 AS NOTED: _____
 DATE: _____

THIS DOCUMENT AND THE CONTENTS THEREOF IS THE PROPERTY OF HARGER INC., AND IS FURNISHED TO YOU FOR INFORMATION ONLY. THE INFORMATION CONTAINED HEREIN IS CONFIDENTIAL AND OF A PROPRIETARY NATURE AND MUST NOT BE DISCLOSED TO THIRD PARTIES WITHOUT THE EXPRESS WRITTEN APPROVAL OF HARGER INC.

B	BH65SP WAS W6S, LW6S, & CS66S	021108	DVB
A	WERE $\phi 0.375$ HOLES AND $\phi 0.375 \times 0.625$ SLOTS	091203	WSM
LET	REVISION	DATE	BY
TOLERANCES UNLESS NOTED:		3RD ANGLE PROJECTION	
FRACTIONAL	+/- 1/16		
.00	+/- .030		
.000	+/- .010		

PART NO. TGBI1426P
 TINNED GROUND BAR ASSEMBLY

DRAWN BY: LAL
 CHECKED BY: -
 DATE: 091102



301 ZIEGLER DRIVE
 GRAYSLAKE, IL 60030
 (847) 548-8700

REVISION: B
 SCALE: 4/7
 SHEET: 1 OF 1