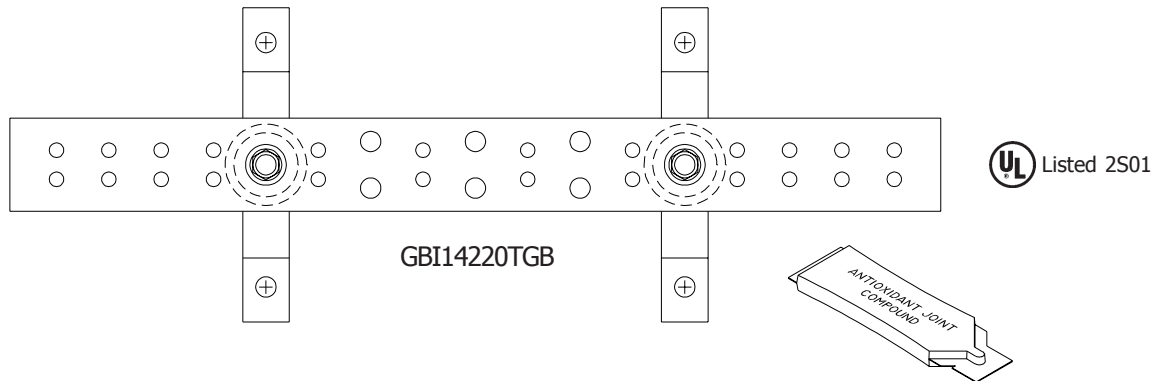


### BICSI Pattern Telecommunications Ground Bars



#### Description

- 1/4" thick x 2" wide electrolytic tough pitch 100 alloy copper bar.
- Includes 1-1/2" insulators and 1" offset stainless steel mounting brackets.
- 5/16" hole sets on 5/8" centers. Accommodates "A" spaced 2 hole compression lugs.
- 7/16" holes sets on 1" centers. Accommodates "C" spaced 2 hole compression lugs.
- Includes one 1/2 oz. tube of antioxidant (#HCAJC1/2).
- Also available electro tin plated. If ordering tinned, simply add prefix T to part number.
- Other sizes available. Contact factory for details.
- Meets "BICSI" and EIA/TIA 607 standards.

Part No.	Bar Size	Material	No. of 5/16" Hole Sets	No. of 7/16" Hole Sets	Approx. Wt. (lbs.)
GBI1426TGB	1/4" x 2" x 6"	Copper	2	2	1-1/2
GBI14210TGB	1/4" x 2" x 10"	Copper	4	3	3
GBI14212TGB	1/4" x 2" x 12"	Copper	6	3	4
GBI14216TGB	1/4" x 2" x 16"	Copper	8	3	4-1/2
GBI14220TGB	1/4" x 2" x 20"	Copper	12	3	5
GBI14224TGB	1/4" x 2" x 24"	Copper	14	5	5-1/2

#### "A" Pattern 2 Hole Compression Lugs

Part No.	Cable Size	OC Dim. B/T Holes	Screw Size	Die Color
GECLB62A	6	.625"	1/4"	Blue
GECLB42A	4	.625"	1/4"	Gray
GECLB22A	2	.625"	1/4"	Brown

#### "C" Pattern 2 Hole Compression Lugs

Part No.	Cable Size	OC Dim. B/T Holes	Screw Size	Die Color
GECLB62C	6	1"	3/8"	Blue
GECLB42C	4	1"	3/8"	Gray
GECLB22C	2	1"	3/8"	Brown
GECLB1/02C	1/0	1"	3/8"	Pink
GECLB2/02C	2/0	1"	3/8"	Black
GECLB4/02C	4/0	1"	3/8"	Purple

For more information on lugs, please contact the factory.

301 Ziegler Drive, Grayslake, IL 60030  
 847-548-8700 • 800-842-7437 • Fax: 847-548-8755  
 Web-site: [www.harger.com](http://www.harger.com) • Email: [hargersales@harger.com](mailto:hargersales@harger.com)