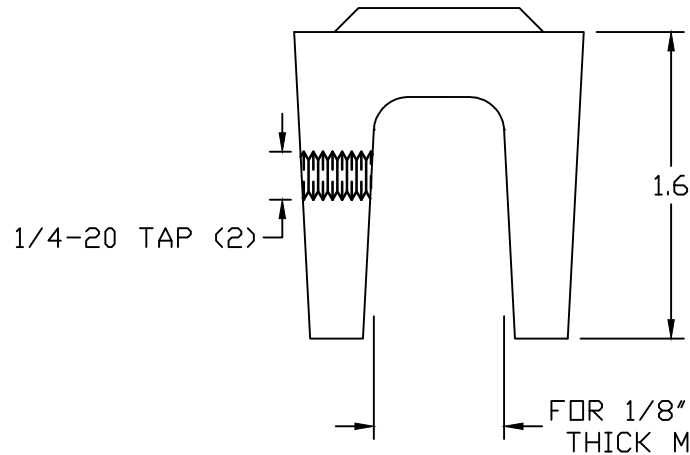
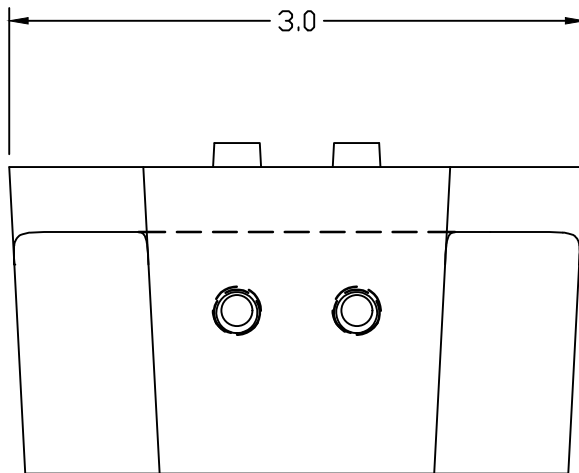


#1/0 AWG COMPRESSION LUG

1/4 S.S. HARDWARE.



1/4-20 TAP (2)

FOR 1/8" TO 5/8"
THICK MATERIAL

COPPER TOWER BONDING CLAMP

EST WT 0.92#

APPROVED

AS DRAWN: _____
 AS NOTED: _____
 DATE: _____

THIS DOCUMENT AND THE CONTENTS THEREOF IS THE PROPERTY OF HARGER INC., AND IS FURNISHED TO YOU FOR INFORMATION ONLY. THE INFORMATION CONTAINED HEREIN IS CONFIDENTIAL AND OF A PROPRIETARY NATURE AND MUST NOT BE DISCLOSED TO THIRD PARTIES WITHOUT THE EXPRESS WRITTEN APPROVAL OF HARGER INC.

LET	REVISION	DATE	BY
TOLERANCES UNLESS NOTED:		3RD ANGLE PROJECTION	
FRACTIONAL	+/- 1/16		
DECIMAL	+/- .030		
REMOVE ALL BURRS/FLASH			

PART NO. TBC21/O
BONDING CLAMP

DRAWN BY:
PJR
CHECKED BY:
DATE:
031324



301 ZIEGLER DRIVE
GRAYSLAKE, IL 60030
(847) 548-8700

REVISION:
SCALE:
FULL
SHEET:
1 OF 1