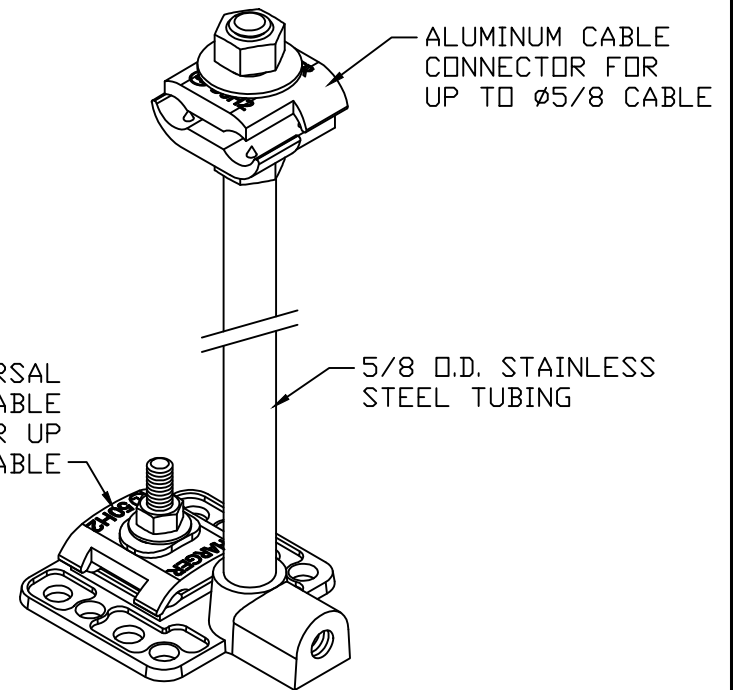


BRONZE UNIVERSAL BASE WITH CABLE CONNECTOR FOR UP TO Ø5/8 CABLE



ASSEMBLY VIEW FOR REFERENCE SHIPS PARTIALLY ASSEMBLED

**STAINLESS STEEL THRU ROOF
ALUMINUM TO COPPER**

EST WT 1.6#

APPROVED

AS DRAWN: _____

AS NOTED: _____

DATE: _____

THIS DOCUMENT AND THE CONTENTS THEREOF IS THE PROPERTY OF HARGER INC., AND IS FURNISHED TO YOU FOR INFORMATION ONLY. THE INFORMATION CONTAINED HEREIN IS CONFIDENTIAL AND OF A PROPRIETARY NATURE AND MUST NOT BE DISCLOSED TO THIRD PARTIES WITHOUT THE EXPRESS WRITTEN APPROVAL OF HARGER INC.

LET	REVISION	DATE	BY
TOLERANCES UNLESS NOTED:		3RD ANGLE PROJECTION	
FRACTIONAL +/- 1/16			
DECIMAL +/- .030			
BREAK SHARP EDGES			

PART NO. SSTRACBMCUBU12
THRU ROOF

DRAWN BY:
LAL

CHECKED BY:

DATE:
040214



301 ZIEGLER DRIVE
GRAYSLAKE, IL 60030
(847) 548-8700

REVISION:
-

SCALE:
7/16

SHEET:
1 OF 1