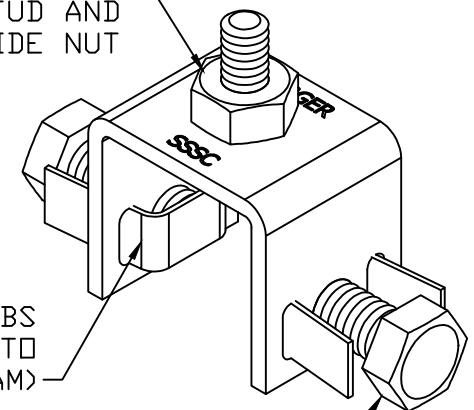


1/4x3/4 S.S. SELF  
CLINCHING STUD AND  
EXTRA WIDE NUT



S.S. HARDWARE TABS  
(PREVENT DAMAGE TO  
ROOF STANDING SEAM)

5/16x3/4 S.S.  
HEX SCREW (2)

### STAINLESS STEEL SEAM CLAMP

EST WT 0.17#

APPROVED

AS DRAWN: \_\_\_\_\_

AS NOTED: \_\_\_\_\_

DATE: \_\_\_\_\_

THIS DOCUMENT AND THE CONTENTS THEREOF IS THE PROPERTY OF HARGER INC., AND IS FURNISHED TO YOU FOR INFORMATION ONLY. THE INFORMATION CONTAINED HEREIN IS CONFIDENTIAL AND OF A PROPRIETARY NATURE AND MUST NOT BE DISCLOSED TO THIRD PARTIES WITHOUT THE EXPRESS WRITTEN APPROVAL OF HARGER INC.

LET	REVISION	DATE	BY
-	-	-	-
TOLERANCES UNLESS NOTED:			
FRACTIONAL	+/- 1/16	3RD ANGLE PROJECTION	
.00	+/- .03	⊕	
.000	+/- .010		

PART NO. SSSC  
SEAM CLAMP W/HARDWARE TABS

DRAWN BY:  
LAL  
CHECKED BY:  
DATE:  
062922



301 ZIEGLER DRIVE  
GRAYSLAKE, IL 60030  
(847) 548-8700

REVISION:  
-  
SCALE:  
FULL  
SHEET:  
1 OF 1