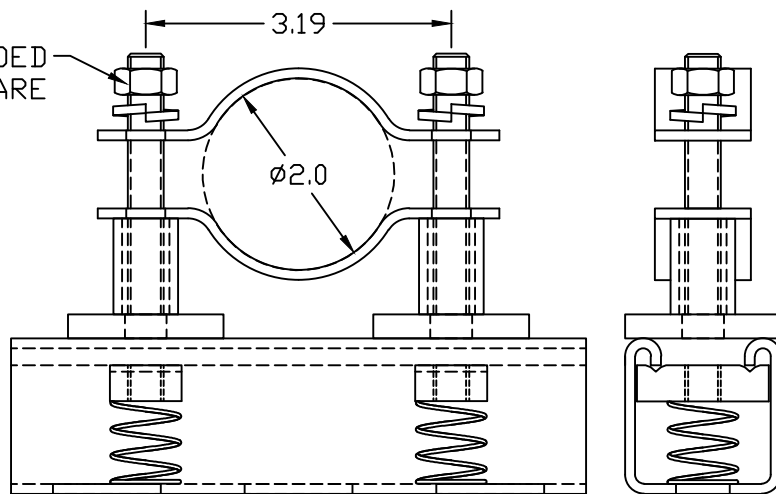


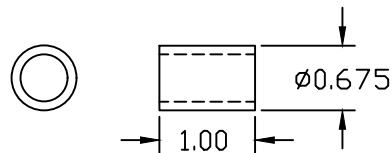
S.S. MAST BRACKETS  
FOR  $\phi 2$ " O.D. (4)



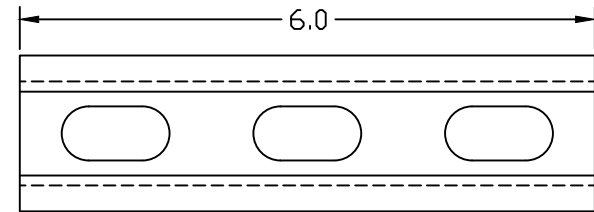
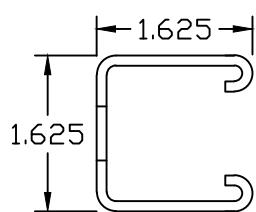
3/8 S.S. THREADED  
ROD & HARDWARE



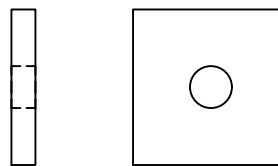
S.S. MAST SUPPORT CLAMP ASSEMBLY  
MOUNTS 2" MAST TO FLAT SURFACE



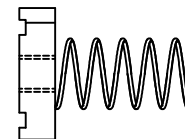
S.S. SPACER (QTY 4)



GALVANIZED STRUT (2)



3/8 Zn PLATED  
SQUARE WASHER (4)



3/8 SPRING NUT (4)

AIR TERMINAL MAST MOUNTING ASSEMBLY

EST WT 4.3#

APPROVED

AS DRAWN: \_\_\_\_\_  
 AS NOTED: \_\_\_\_\_  
 DATE: \_\_\_\_\_

THIS DOCUMENT AND THE CONTENTS THEREOF IS THE PROPERTY OF HARGER INC., AND IS FURNISHED TO YOU FOR INFORMATION ONLY. THE INFORMATION CONTAINED HEREIN IS CONFIDENTIAL AND OF A PROPRIETARY NATURE AND MUST NOT BE DISCLOSED TO THIRD PARTIES WITHOUT THE EXPRESS WRITTEN APPROVAL OF HARGER INC.

LET	REVISION	DATE	BY
TOLERANCES UNLESS NOTED:		3RD ANGLE PROJECTION	
FRACTIONAL +/- 1/16		⊕	
DECIMAL +/- .030			
BREAK SHARP EDGES			

PART NO. SSATMFSC2  
 MAST MOUNTING ASSEMBLY

DRAWN BY:  
 LAL  
 CHECKED BY:  
 DATE:  
 040722



301 ZIEGLER DRIVE  
 GRAYSLAKE, IL 60030  
 (847) 548-8700

REVISION:  
 -  
 SCALE:  
 1/2  
 SHEET:  
 1 OF 1