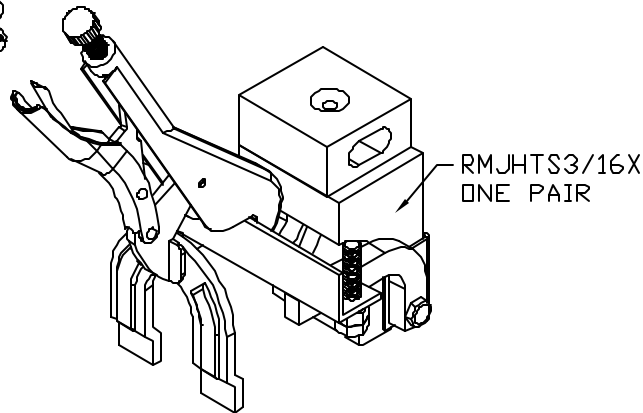
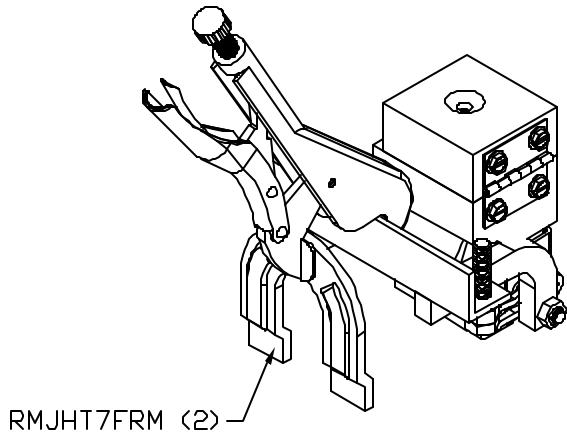
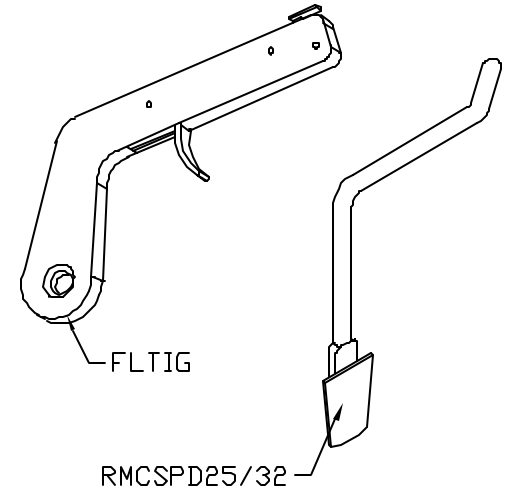


CLIP INSTALLATION
(2) PLACES NTS



RAIL HEAD WELDER

| | | | | | | |
|---|---|-------------|--------|-----|--|--|
| <p>THIS DOCUMENT AND THE CONTENTS THEREOF IS THE PROPERTY OF HARGER INC., AND IS FURNISHED TO YOU FOR INFORMATION ONLY. THE INFORMATION CONTAINED HEREIN IS CONFIDENTIAL AND OF A PROPRIETARY NATURE AND MUST NOT BE DISCLOSED TO THIRD PARTIES WITHOUT THE EXPRESS WRITTEN APPROVAL OF HARGER INC.</p> | | | | | <p>PART NO. RMJHTS3/16T7 ASSEMBLY</p> | |
| | | | | | <p>DRAWN BY: LAL</p> | <p>HARGER[™] 301 ZIEGLER DRIVE GRAYSLAKE, IL 60030 (847) 548-8700</p> |
| | A | UPDATED DWG | 102804 | LAL | <p>CHECKED BY:</p> | |
| | LET | REVISION | DATE | BY | <p>DATE: 091003</p> | <p>SCALE: 5/16</p> |
| | <p>TOLERANCES UNLESS NOTED: FRACTIONAL +/- 1/16 .00 +/- .030 .000 +/- .010</p> | | | | | <p>SHEET: 1 OF 1</p> |