

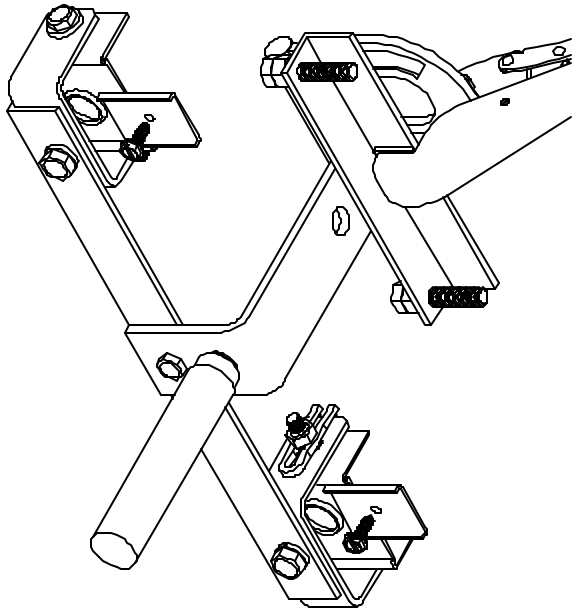
- NOTES:
 1. CLEAN AND REMOVE ALL GRIT PRIOR TO FINISHING.
 2. BLUE PAINT FINISH ON PLAIN STEEL ITEMS AFTER WELDING, BEFORE FINAL ASSEMBLY.

MOLD HANDLE ASSEMBLY

THIS DOCUMENT AND THE CONTENTS THEREOF IS THE PROPERTY OF HARGER INC., AND IS FURNISHED TO YOU FOR INFORMATION ONLY. THE INFORMATION CONTAINED HEREIN IS CONFIDENTIAL AND OF A PROPRIETARY NATURE AND MUST NOT BE DISCLOSED TO THIRD PARTIES WITHOUT THE EXPRESS WRITTEN APPROVAL OF HARGER INC.

| LET | REVISION | DATE | BY |
|-----|----------|------|----|
| | | | |
| | | | |
| | | | |
| | | | |
| | | | |

TOLERANCES UNLESS NOTED:
 FRACTIONAL +/- 1/16
 .00 +/- .030
 .000 +/- .010



PART NO. RMJH9.75T6FRM

T6 9 3/4" ASSEMBLY

REVISION: -



301 ZIEGLER DRIVE
 GRAYS LAKE, IL 60030
 (847) 548-8700

| | | | |
|---------------|-----------------|--------------|---------------|
| DRAWN BY: LAL | CHECKED BY: LAL | DATE: 082803 | SCALE: 5/16 |
| | | | SHEET: 1 OF 1 |