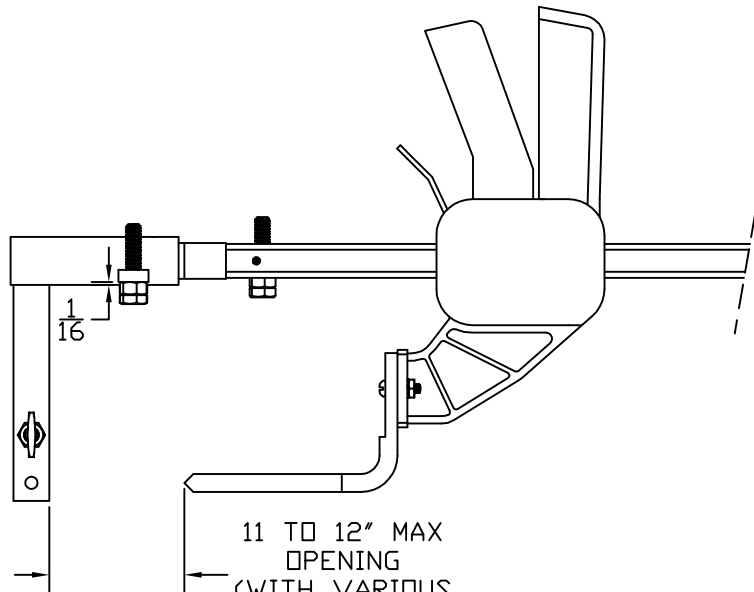
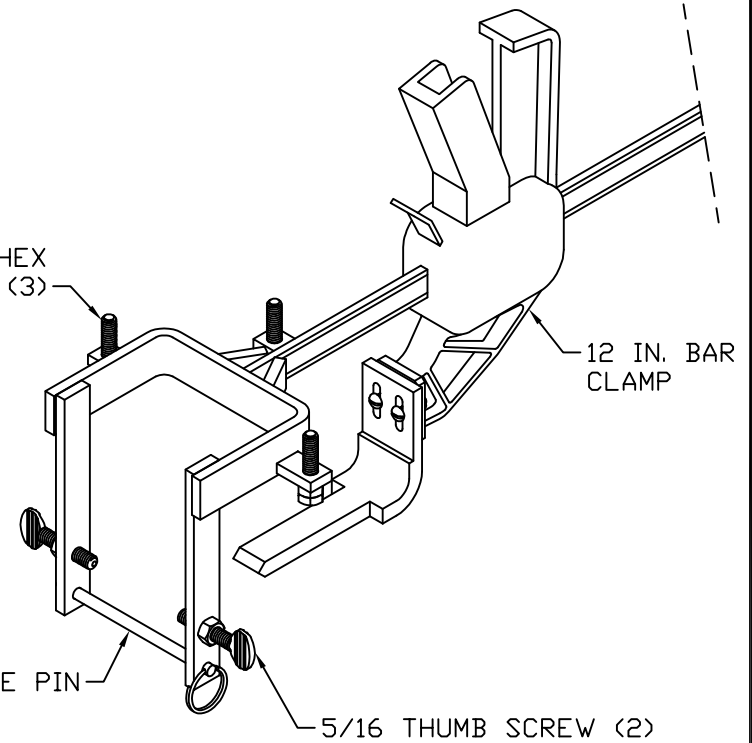


5/16 BRONZE HEX
HEAD SCREW (3)



11 TO 12" MAX
OPENING
(WITH VARIOUS
MOLDS)

EST WT 4.2#

APPROVED

AS DRAWN: _____
 AS NOTED: _____
 DATE: _____

THIS DOCUMENT AND THE CONTENTS
THEREOF IS THE PROPERTY OF
HARGER INC., AND IS FURNISHED TO
YOU FOR INFORMATION ONLY. THE
INFORMATION CONTAINED HEREIN IS
CONFIDENTIAL AND OF A PROPRIETARY
NATURE AND MUST NOT BE DISCLOSED
TO THIRD PARTIES WITHOUT THE
EXPRESS WRITTEN APPROVAL OF
HARGER INC.

B	SEPARATED PART NO'S, NEW JAW ATTCHMENT. & UPDATED DRAWING	103122	GTE
A	WAS DWHT83143	082919	LAL
LET	REVISION	DATE	BY
TOLERANCES UNLESS NOTED:			
FRACTIONAL +/- 1/16			
.00 +/- .030			
.000 +/- .010			

PART NO. RMFRMW105IB4
WEB WELDER FRAME, 3 IN MOLD

DRAWN BY:
LAL
CHECKED BY:
DATE:
021314

HARGER™

301 ZIEGLER DRIVE
GRAYSLAKE, IL 60030
(847) 548-8700

REVISION:
B
SCALE:
1/4
SHEET:
1 OF 1