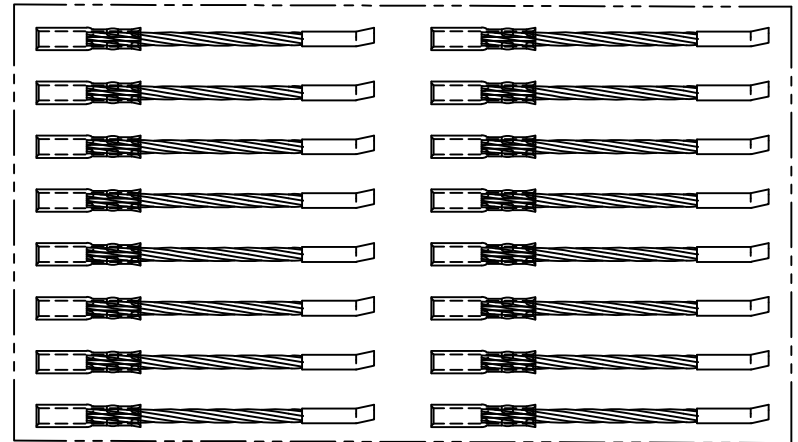
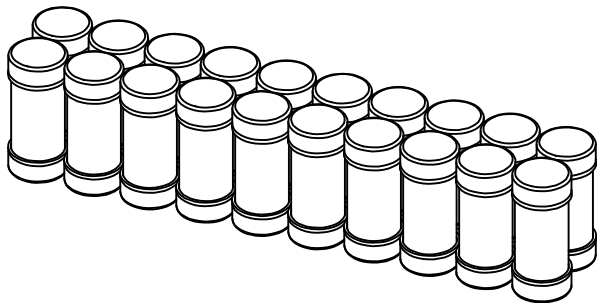


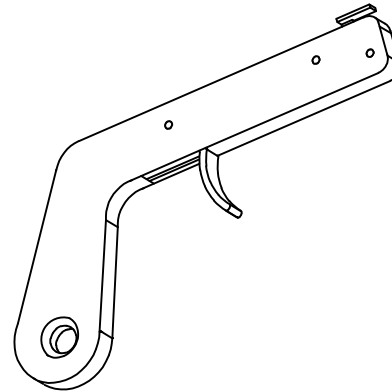
REPLACEMENT MOLD PAIR



3/16x4 TRACK CONNECTOR
BOOTLEG (100) PCS



WELD METAL (100) PCS



FLINT IGNITER (1) PC

TRACK CONNECTOR BOOTLEG KIT

EST WT 18.1#

APPROVED

AS DRAWN: _____
 AS NOTED: _____
 DATE: _____

THIS DOCUMENT AND THE CONTENTS THEREOF IS THE PROPERTY OF HARGER INC., AND IS FURNISHED TO YOU FOR INFORMATION ONLY. THE INFORMATION CONTAINED HEREIN IS CONFIDENTIAL AND OF A PROPRIETARY NATURE AND MUST NOT BE DISCLOSED TO THIRD PARTIES WITHOUT THE EXPRESS WRITTEN APPROVAL OF HARGER INC.

| | | | |
|--------------------------|----------|----------------------|----|
| LET | REVISION | DATE | BY |
| | | | |
| TOLERANCES UNLESS NOTED: | | 3RD ANGLE PROJECTION | |
| FRACTIONAL +/- 1/16 | | ⊕ | |
| DECIMAL +/- .030 | | | |
| BREAK SHARP EDGES | | | |

PART NO. RBTC3/164KTNT
TRACK CONNECTOR KIT

DRAWN BY:
LAL
CHECKED BY:
DATE:
042122



301 ZIEGLER DRIVE
GRAYSLAKE, IL 60030
(847) 548-8700

REVISION:
—
SCALE:
3/8
SHEET:
1 OF 1