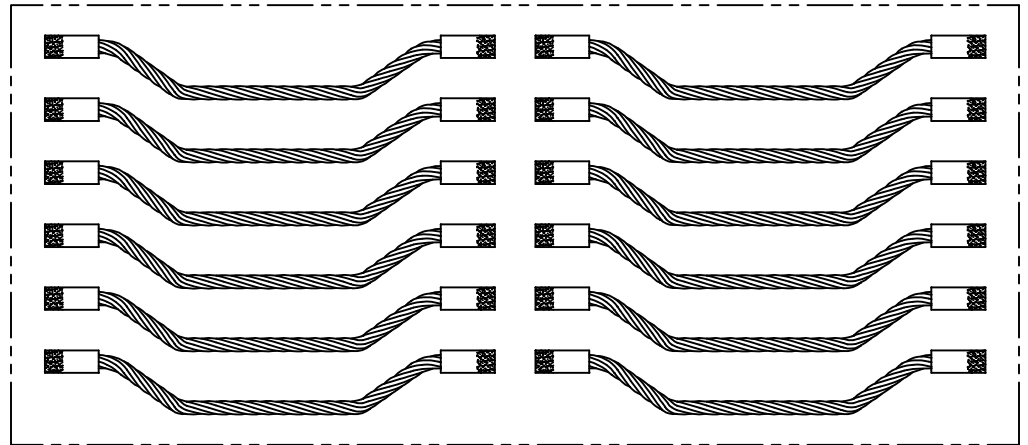
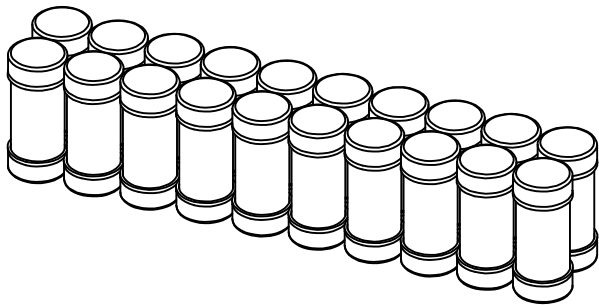


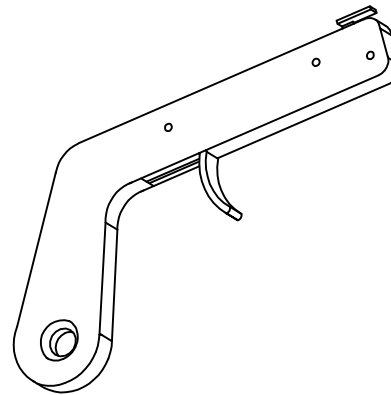
REPLACEMENT MOLD PAIR



3/16x7.5 TAB STYLE
RAIL BONDS (100) PCS



WELD METAL (200) PCS



FLINT IGNITER (1) PC

TAB BOND KIT

EST WT 22.6#

APPROVED

AS DRAWN: _____
 AS NOTED: _____
 DATE: _____

THIS DOCUMENT AND THE CONTENTS THEREOF IS THE PROPERTY OF HARGER INC., AND IS FURNISHED TO YOU FOR INFORMATION ONLY. THE INFORMATION CONTAINED HEREIN IS CONFIDENTIAL AND OF A PROPRIETARY NATURE AND MUST NOT BE DISCLOSED TO THIRD PARTIES WITHOUT THE EXPRESS WRITTEN APPROVAL OF HARGER INC.

LET	REVISION	DATE	BY
TOLERANCES UNLESS NOTED:		3RD ANGLE PROJECTION	
FRACTIONAL	+/- 1/16		
DECIMAL	+/- .030		
BREAK SHARP EDGES			

PART NO. RBJHTS3/167.5KTNT
 SIGNAL BOND KIT

DRAWN BY:
 LAL
 CHECKED BY:
 DATE:
 042222



301 ZIEGLER DRIVE
 GRAYSLAKE, IL 60030
 (847) 548-8700

REVISION:
 -
 SCALE:
 3/8
 SHEET:
 1 OF 1