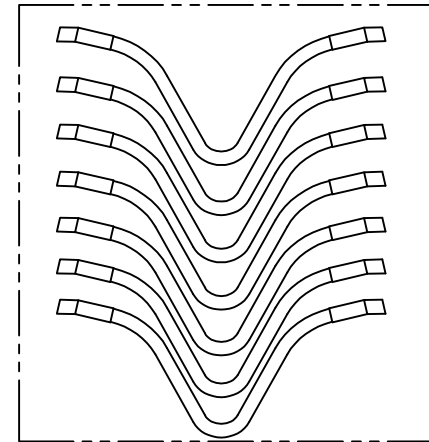
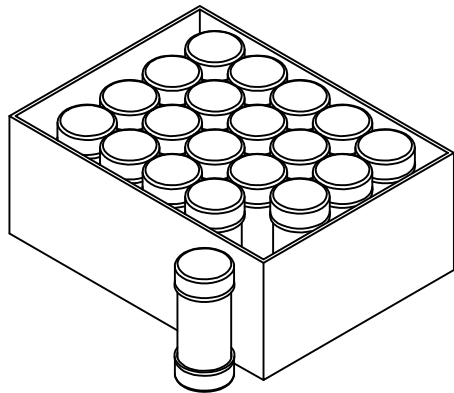


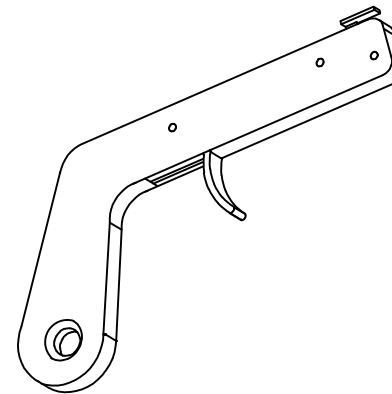
MOLD PAIR FOR 3/16 JH TAB BONDS



3/16x6.5 TAB BONDS (100)



NUWTUBE25R RAIL ULTRAWELD METAL (200)



FLINT IGNITER (1)

3/16x6.5 TAB BOND KIT

EST WT 25#

APPROVED

AS DRAWN: _____
 AS NOTED: _____
 DATE: _____

THIS DOCUMENT AND THE CONTENTS THEREOF IS THE PROPERTY OF HARGER INC., AND IS FURNISHED TO YOU FOR INFORMATION ONLY. THE INFORMATION CONTAINED HEREIN IS CONFIDENTIAL AND OF A PROPRIETARY NATURE AND MUST NOT BE DISCLOSED TO THIRD PARTIES WITHOUT THE EXPRESS WRITTEN APPROVAL OF HARGER INC.

B	WAS RBJHTS3/166.5KT	102621	LAL
A	ADDED NOTE	061504	LAL
LET	REVISION	DATE	BY
TOLERANCES UNLESS NOTED:		3RD ANGLE PROJECTION	
FRACTIONAL +/- 1/16		⊕	
DECIMAL +/- .030			
BREAK SHARP EDGES			

PART NO. RBJHTS3/166.5KTNT
 SIGNAL BOND KIT

DRAWN BY:
 EHS
 CHECKED BY:
 DATE:
 052803



301 ZIEGLER DRIVE
 GRAYSLAKE, IL 60030
 (847) 548-8700

REVISION:
 B
 SCALE:
 3/8
 SHEET:
 1 OF 1