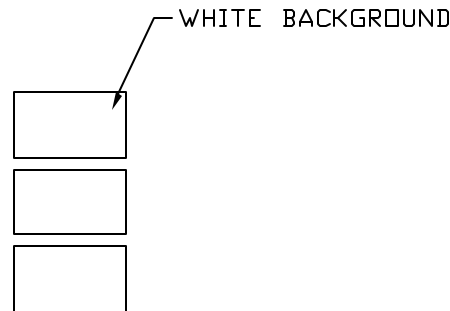
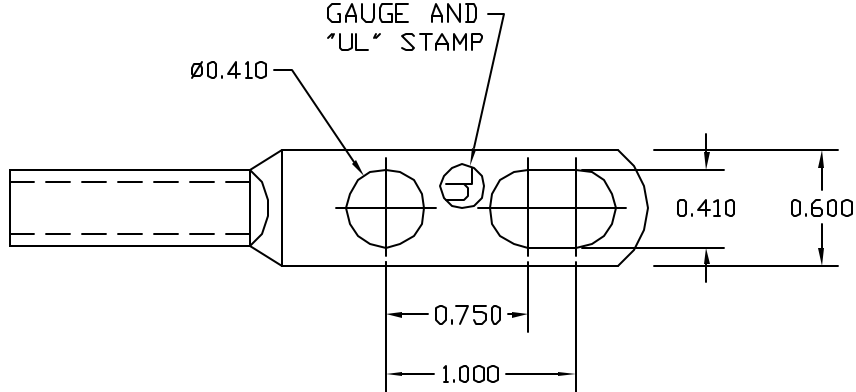
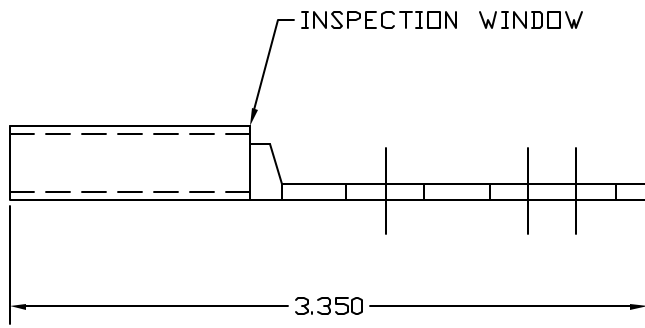


BARREL LABEL, TOP HALF



BARREL LABEL, BOTTOM HALF



THIS DOCUMENT AND THE CONTENTS THEREOF IS THE PROPERTY OF HARGER INC., AND IS FURNISHED TO YOU FOR INFORMATION ONLY. THE INFORMATION CONTAINED HEREIN IS CONFIDENTIAL AND OF A PROPRIETARY NATURE AND MUST NOT BE DISCLOSED TO THIRD PARTIES WITHOUT THE EXPRESS WRITTEN APPROVAL OF HARGER INC.

B	HOLE TOL WAS .02	100903	WSM
A	WAS 0.450	082702	LAL
LET	REVISION	DATE	BY
TOLERANCES UNLESS NOTED:			
	FRACTIONAL	+/-	1/64
	.00	+/-	.010
	.000	+/-	.005

PART NO. GECLB22BCS

- - -

	DRAWN BY: LAL CHECKED BY: DATE: 012102	REVISION: B SCALE: FULL SHEET: 1 OF 1
301 ZIEGLER DRIVE GRAYSLAKE, IL 60030 (847) 548-8700		