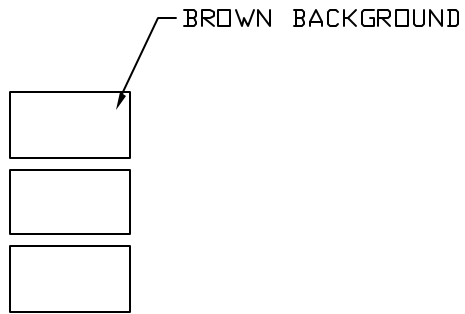
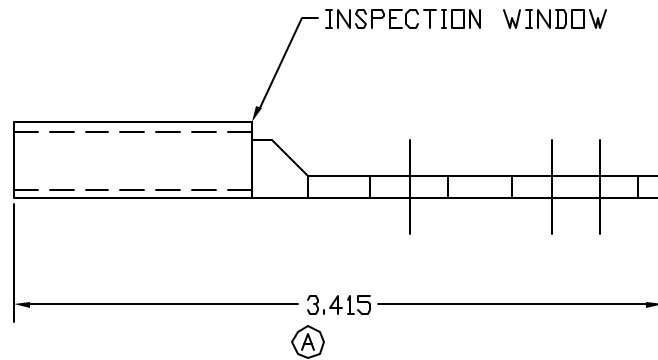
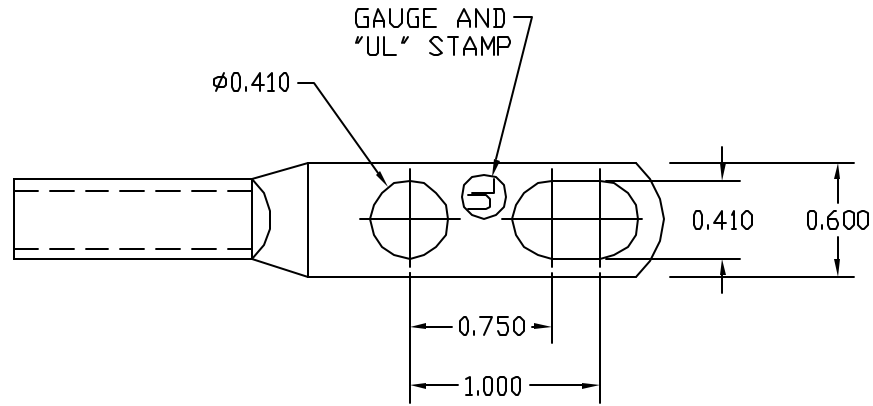


BARREL LABEL, TOP HALF



BARREL LABEL, BOTTOM HALF



(B)

THIS DOCUMENT AND THE CONTENTS THEREOF IS THE PROPERTY OF HARGER INC., AND IS FURNISHED TO YOU FOR INFORMATION ONLY. THE INFORMATION CONTAINED HEREIN IS CONFIDENTIAL AND OF A PROPRIETARY NATURE AND MUST NOT BE DISCLOSED TO THIRD PARTIES WITHOUT THE EXPRESS WRITTEN APPROVAL OF HARGER INC.					PART NO. GECLB22BC		
	C	HOLE TOL WAS .02	100903	WSM			
	B	WAS 40D	101802	LAL	DRAWN BY:		REVISION:
	A	WAS 3.350, 1.200, .575	090502	LAL	WSM		C
	LET	REVISION	DATE	BY	CHECKED BY:		SCALE:
	TOLERANCES UNLESS NOTED:						
	FRACTIONAL	+/-	1/64				
	.00	+/-	.010				
	.000	+/-	.005				
				DATE:			
				080702			
					301 ZIEGLER DRIVE GRAYSLAKE, IL 60030 (847) 548-8700		
							SHEET:
							1 OF 1