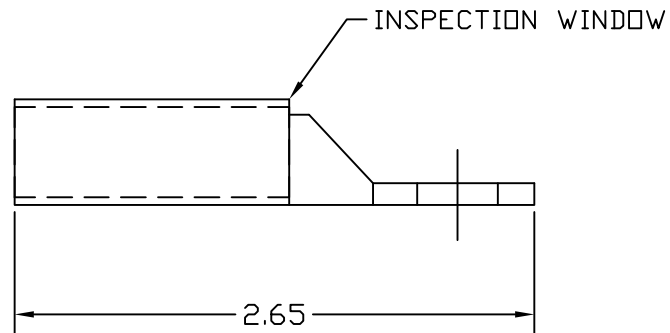
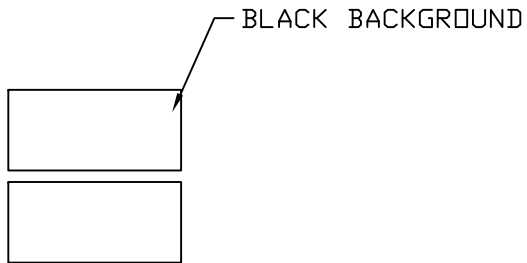


BARREL LABEL, TOP HALF



BARREL LABEL, BOTTOM HALF

LONG BARREL LUG

APPROVED

AS DRAWN: \_\_\_\_\_  
 AS NOTED: \_\_\_\_\_  
 DATE: \_\_\_\_\_

THIS DOCUMENT AND THE CONTENTS THEREOF IS THE PROPERTY OF HARGER INC., AND IS FURNISHED TO YOU FOR INFORMATION ONLY. THE INFORMATION CONTAINED HEREIN IS CONFIDENTIAL AND OF A PROPRIETARY NATURE AND MUST NOT BE DISCLOSED TO THIRD PARTIES WITHOUT THE EXPRESS WRITTEN APPROVAL OF HARGER INC.

LET	REVISION	DATE	BY

TOLERANCES UNLESS NOTED:  
 FRACTIONAL +/- 1/8  
 DECIMAL +/- .060

3RD ANGLE PROJECTION

PART NO. GECLB2/0  
 COPPER COMPRESSION LUG

DRAWN BY:  
LAL  
 CHECKED BY:  
-  
 DATE:  
120214

**HARGER**<sup>TM</sup>  
 301 ZIEGLER DRIVE  
 GRAYSLAKE, IL 60030  
 (847) 548-8700

REVISION:  
-  
 SCALE:  
FULL  
 SHEET:  
1 OF 1