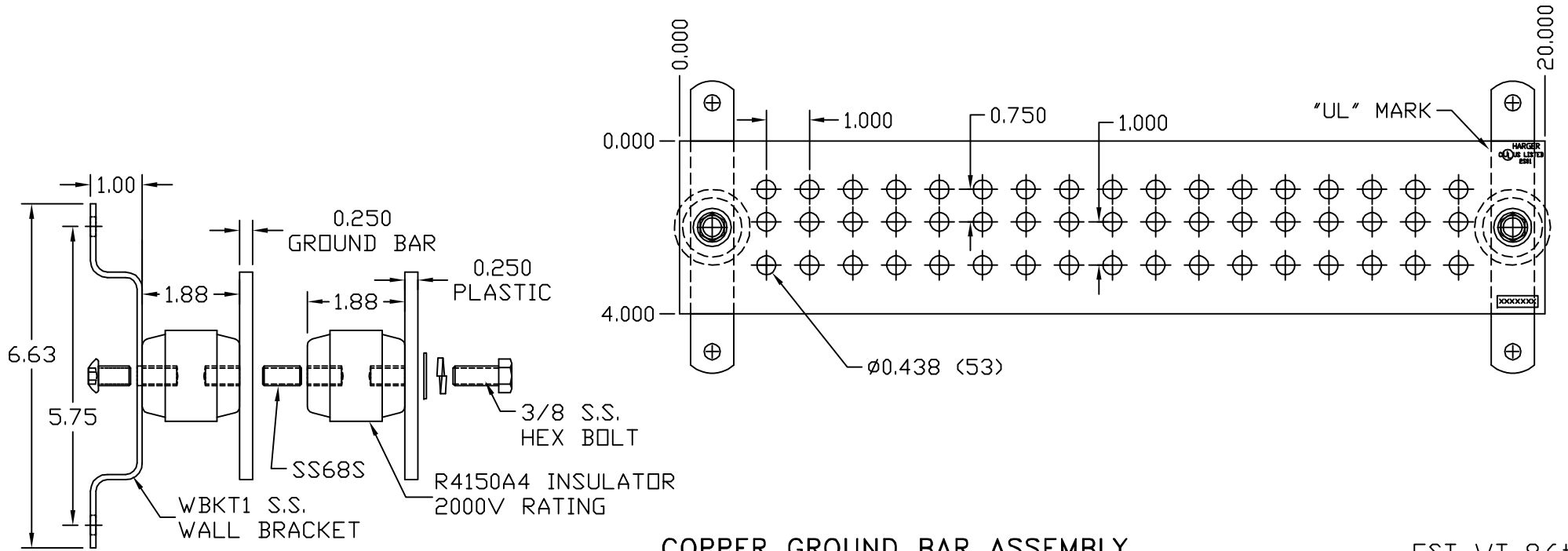


CLEAR PLASTIC COVER



COPPER GROUND BAR ASSEMBLY

EST WT 8.6#

APPROVED

AS DRAWN: \_\_\_\_\_

AS NOTED: \_\_\_\_\_

DATE: \_\_\_\_\_

THIS DOCUMENT AND THE CONTENTS THEREOF IS THE PROPERTY OF HARGER INC., AND IS FURNISHED TO YOU FOR INFORMATION ONLY. THE INFORMATION CONTAINED HEREIN IS CONFIDENTIAL AND OF A PROPRIETARY NATURE AND MUST NOT BE DISCLOSED TO THIRD PARTIES WITHOUT THE EXPRESS WRITTEN APPROVAL OF HARGER INC.

LET	REVISION	DATE	BY
TOLERANCES UNLESS NOTED:			3RD ANGLE PROJECTION
FRACTIONAL +/- 1/16			
DECIMAL +/- .030			
BREAK SHARP EDGES			

PART NO. GBIP14420JMGMB  
GROUND BAR ASSEMBLY

DRAWN BY:  
WSM

CHECKED BY:

DATE:  
011602



301 ZIEGLER DRIVE  
GRAYSLAKE, IL 60030  
(847) 548-8700

REVISION:  
-

SCALE:  
9/32

SHEET:  
1 OF 1