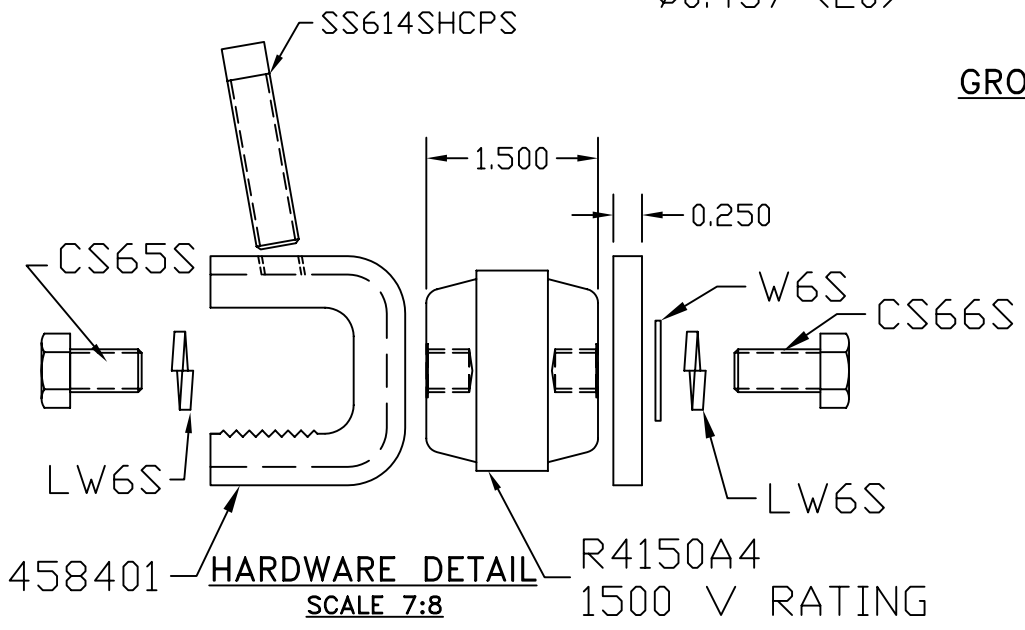


GROUND BAR ASSEMBLY



458401 **HARDWARE DETAIL**
SCALE 7:8

R4150A4
1500 V RATING

EST. WEIGHT 3.3 LBS

APPROVED

AS DRAWN: _____

AS NOTED: _____

DATE: _____

THIS DOCUMENT AND THE CONTENTS THEREOF IS THE PROPERTY OF HARGER INC., AND IS FURNISHED TO YOU FOR INFORMATION ONLY. THE INFORMATION CONTAINED HEREIN IS CONFIDENTIAL AND OF A PROPRIETARY NATURE AND MUST NOT BE DISCLOSED TO THIRD PARTIES WITHOUT THE EXPRESS WRITTEN APPROVAL OF HARGER INC.

LET	REVISION	DATE	BY
-	-	-	-
TOLERANCES UNLESS NOTED:			
FRACTIONAL	+/- 1/16	3RD ANGLE PROJECTION	
.00	+/- .030		
.000	+/- .010		

PART NO. GBIA14212Z
GROUND BAR ASSEMBLY

DRAWN BY:
WSM

CHECKED BY:
-

DATE:
0116202

HARGER
301 ZIEGLER DRIVE
GRAYSLAKE, IL 60030
(847) 548-8700

REVISION:
A

SCALE:
2/3

SHEET:
1 OF 1