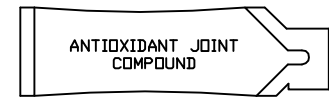
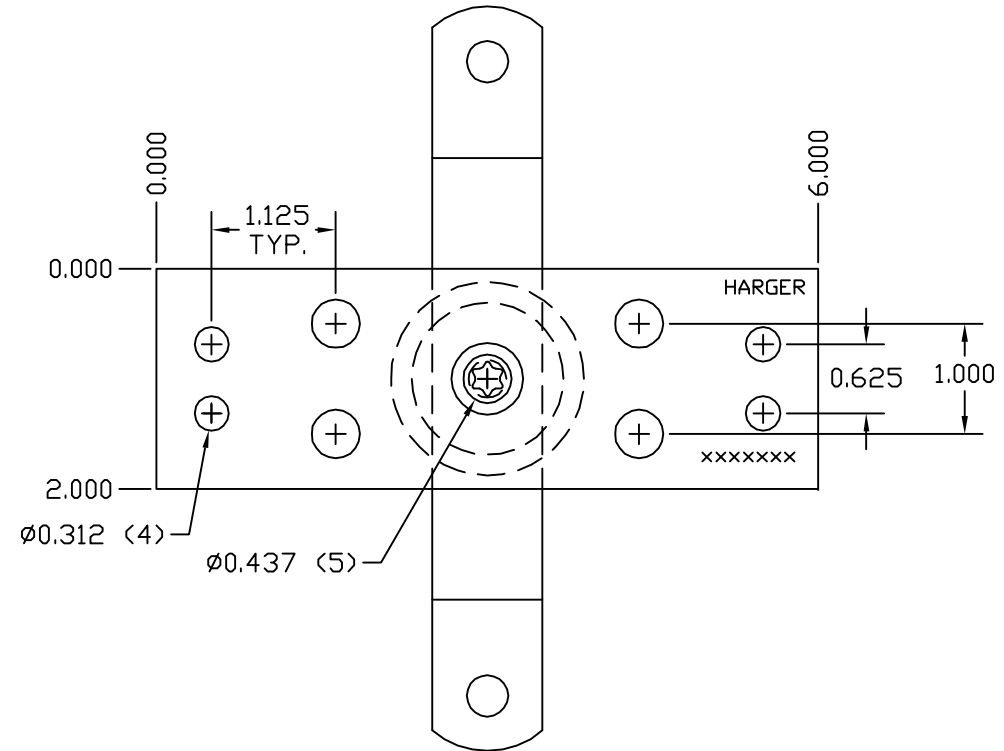
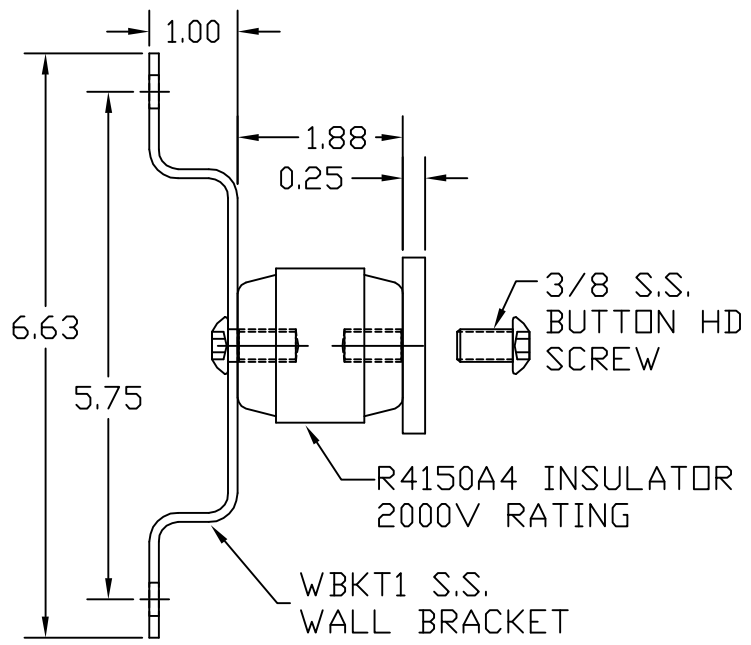


HARDWARE KIT



HCAJC1/2



BICSI GROUND BAR & KIT ASSEMBLY

EST WT 2.9#

APPROVED

AS DRAWN: _____
 AS NOTED: _____
 DATE: _____

THIS DOCUMENT AND THE CONTENTS THEREOF IS THE PROPERTY OF HARGER INC., AND IS FURNISHED TO YOU FOR INFORMATION ONLY. THE INFORMATION CONTAINED HEREIN IS CONFIDENTIAL AND OF A PROPRIETARY NATURE AND MUST NOT BE DISCLOSED TO THIRD PARTIES WITHOUT THE EXPRESS WRITTEN APPROVAL OF HARGER INC.

| | | | |
|--------------------------|-----------------------------|----------------------|-----|
| | | | |
| | | | |
| | | | |
| | | | |
| A | BH65SP WAS CS66S, LW6S, W6S | 071408 | DVB |
| LET | REVISION | DATE | BY |
| TOLERANCES UNLESS NOTED: | | 3RD ANGLE PROJECTION | |
| FRACTIONAL | +/- 1/16 | | |
| .00 | +/- .030 | | |
| .000 | +/- .010 | | |

PART NO. GBI1426TGBKT
 BICSI GROUND BAR & KIT ASSEMBLY

DRAWN BY: WSM
 CHECKED BY: _____
 DATE: 101303



REVISION: -
 SCALE: 9/16
 SHEET: 1 OF 1