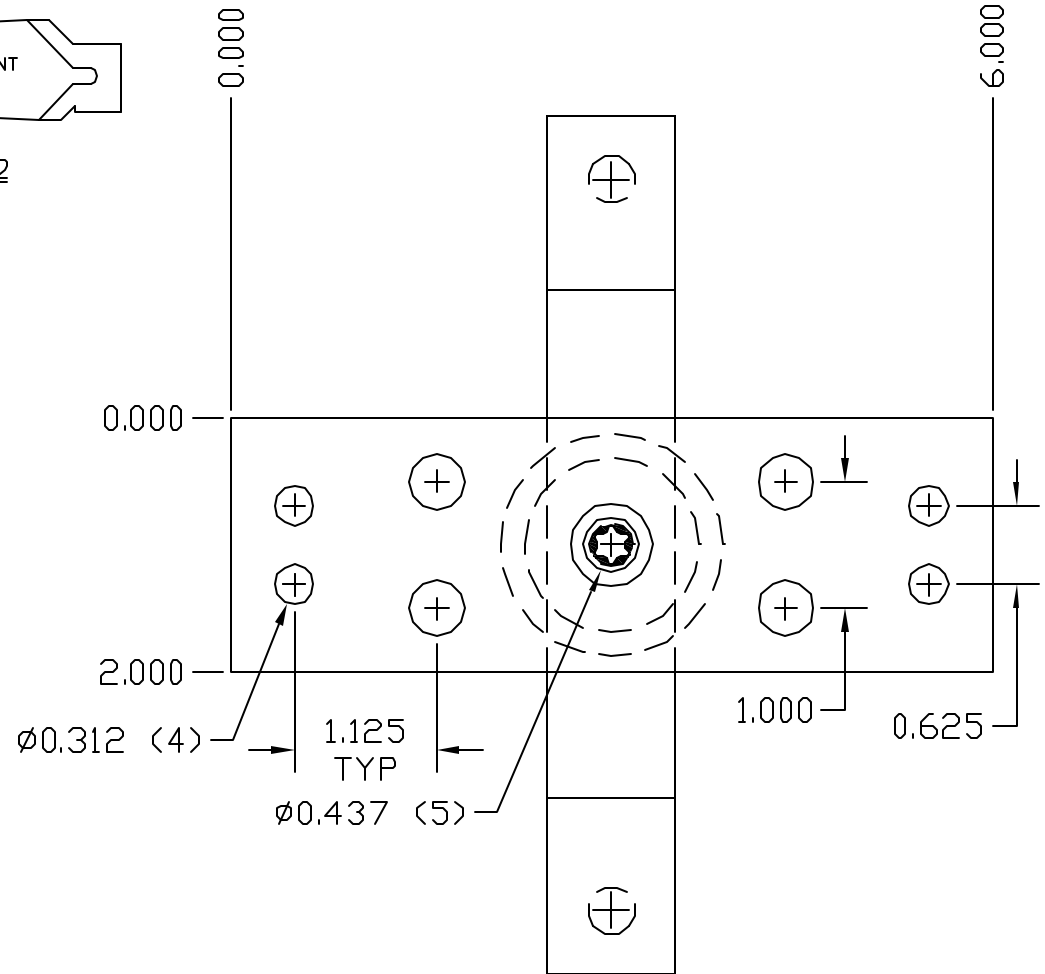


HCAJC1/2



BICSI GROUND BAR ASSEMBLY

EST. WEIGHT 1.4 LBS

APPROVED

AS DRAWN: _____

AS NOTED: _____

DATE: _____

THIS DOCUMENT AND THE CONTENTS THEREOF IS THE PROPERTY OF HARGER INC., AND IS FURNISHED TO YOU FOR INFORMATION ONLY. THE INFORMATION CONTAINED HEREIN IS CONFIDENTIAL AND OF A PROPRIETARY NATURE AND MUST NOT BE DISCLOSED TO THIRD PARTIES WITHOUT THE EXPRESS WRITTEN APPROVAL OF HARGER INC.

A	BH65SP WAS C566S, LW6S, W6S	071408	DVB
LET	REVISION	DATE	BY
TOLERANCES UNLESS NOTED:		3RD ANGLE PROJECTION	
FRACTIONAL	+/- 1/16		
.00	+/- .030		
.000	+/- .010		

PART NO. GB11426TGB
BICSI GROUND BAR ASSEMBLY

DRAWN BY:
LAL

CHECKED BY:
-

DATE:
092603



301 ZIEGLER DRIVE
GRAYSLAKE, IL 60030
(847) 548-8700

REVISION:
A

SCALE:
2/3

SHEET:
1 OF 1