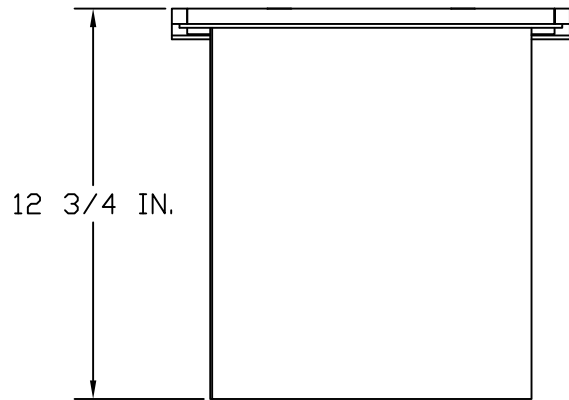
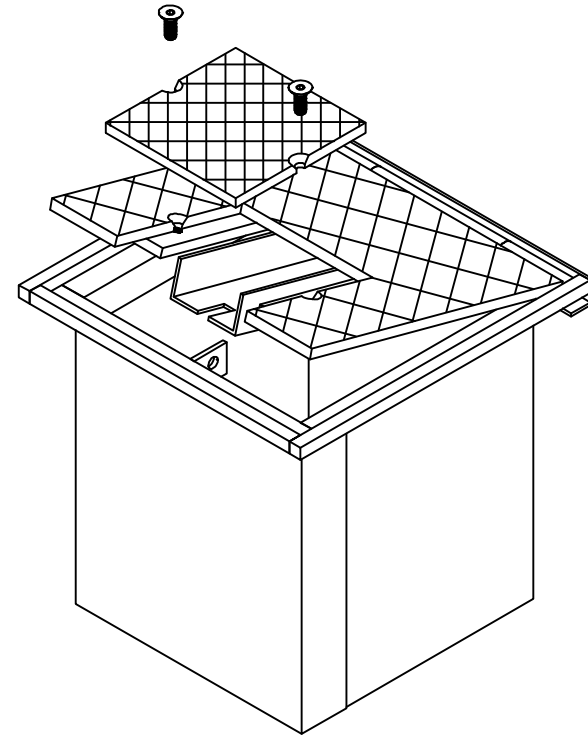


PADLOCK COMPARTMENT WITH BOLTED COVER



12 IN. HINGED COVER
LOCKING TEST WELL

3/8 IN. STEEL COVER, BLACK
PAINT FINISH

16 GA. ALUMINIZED STEEL SKIRT

AASHTO H-20 WHEEL LOADING

EST WT 40#

APPROVED

AS DRAWN: _____
 AS NOTED: _____
 DATE: _____

THIS DOCUMENT AND THE CONTENTS THEREOF IS THE PROPERTY OF HARGER INC., AND IS FURNISHED TO YOU FOR INFORMATION ONLY. THE INFORMATION CONTAINED HEREIN IS CONFIDENTIAL AND OF A PROPRIETARY NATURE AND MUST NOT BE DISCLOSED TO THIRD PARTIES WITHOUT THE EXPRESS WRITTEN APPROVAL OF HARGER INC.

LET	REVISION	DATE	BY
-	-	-	-
TOLERANCES UNLESS NOTED:		3RD ANGLE PROJECTION	
FRACTIONAL +/- 1/16			
DECIMAL +/- .030			
BREAK SHARP EDGES			

PART NO. GAW121212TDLH
GROUND ACCESS WELL

DRAWN BY:
LAL
CHECKED BY:
DATE:
032816

HARGERTM
301 ZIEGLER DRIVE
GRAYSLAKE, IL 60030
(847) 548-8700

REVISION:
-
SCALE:
NTS
SHEET:
1 OF 1