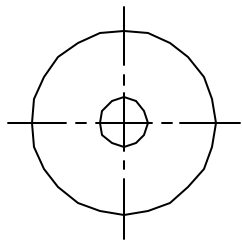
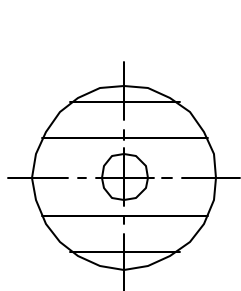
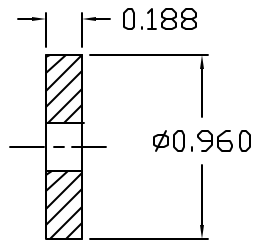


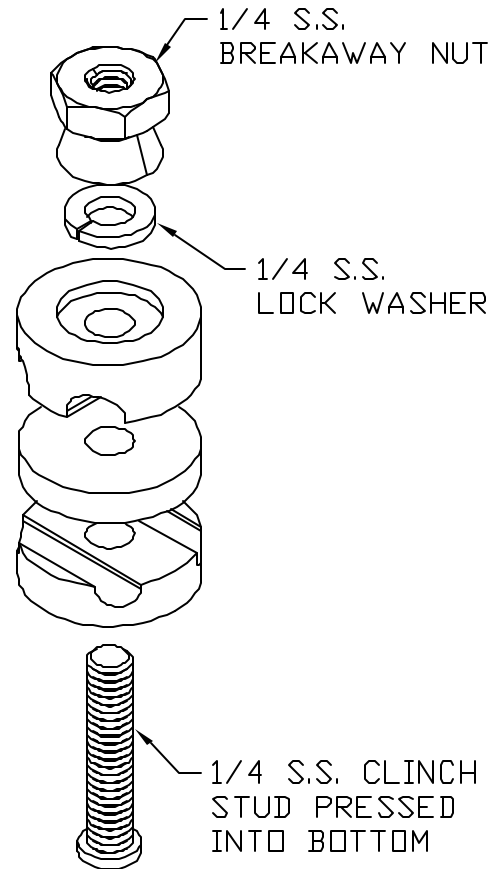
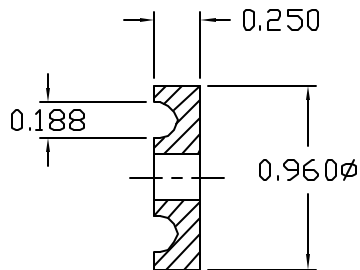
**TOP
TIN PLATED
BRASS**



**MIDDLE
TIN PLATED
BRASS**



**BOTTOM
TIN PLATED
BRASS**



ASSEMBLY

EST WT 0.2#

APPROVED

THIS DOCUMENT AND THE CONTENTS THEREOF IS THE PROPERTY OF HARGER INC., AND IS FURNISHED TO YOU FOR INFORMATION ONLY. THE INFORMATION CONTAINED HEREIN IS CONFIDENTIAL AND OF A PROPRIETARY NATURE AND MUST NOT BE DISCLOSED TO THIRD PARTIES WITHOUT THE EXPRESS WRITTEN APPROVAL OF HARGER INC.

AS DRAWN: _____
 AS NOTED: _____
 DATE: _____

LET	REVISION	DATE	BY

TOLERANCES UNLESS NOTED:
 FRACTIONAL +/- 1/64
 .00 +/- .010
 .000 +/- .005

PART NO. FGC4TP
 FENCE GROUND CLAMP

#4 WIRE

DRAWN BY:
 LAL

CHECKED BY:

DATE:
 040611



301 ZIEGLER DRIVE
 GRAYSLAKE, IL 60030
 (847) 548-8700

REVISION:

-

SCALE:

FULL

SHEET:

1 OF 1