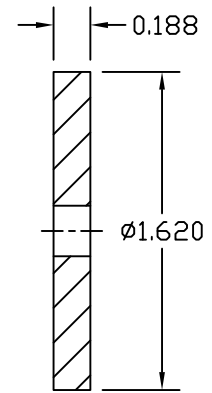
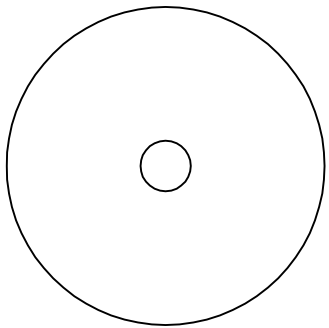
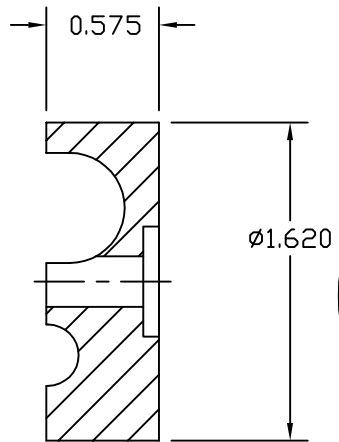
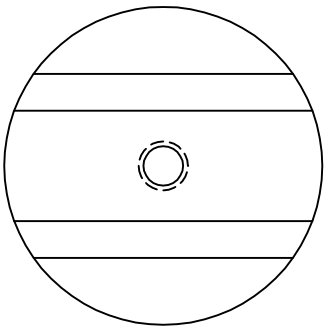


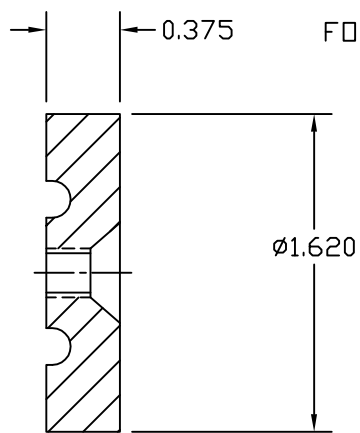
TOP, BRASS TIN PLATED



SPACER, BRASS TIN PLATED



BOTTOM, BRASS TIN PLATED



FOR 4/0 STR.

1/4 S.S. BREAK AWAY NUT

FOR #2 STR.

TIN PLATED BRASS

1/4 S.S. PIN IN HEX SCREW

ASSEMBLY

EST WT 0.63#

APPROVED

AS DRAWN: \_\_\_\_\_  
 AS NOTED: \_\_\_\_\_  
 DATE: \_\_\_\_\_

THIS DOCUMENT AND THE CONTENTS THEREOF IS THE PROPERTY OF HARGER INC., AND IS FURNISHED TO YOU FOR INFORMATION ONLY. THE INFORMATION CONTAINED HEREIN IS CONFIDENTIAL AND OF A PROPRIETARY NATURE AND MUST NOT BE DISCLOSED TO THIRD PARTIES WITHOUT THE EXPRESS WRITTEN APPROVAL OF HARGER INC.

LET	REVISION	DATE	BY

TOLERANCES UNLESS NOTED:  
 FRACTIONAL +/- 1/64  
 .00 +/- .010  
 .000 +/- .005

PART NO. FGC2-4/OTP  
 FENCE GROUND CLAMP

DRAWN BY:  
LAL  
 CHECKED BY:  
 DATE:  
042711

**HARGER™**  
 301 ZIEGLER DRIVE  
 GRAYSLAKE, IL 60030  
 (847) 548-8700

REVISION:  
-  
 SCALE:  
FULL  
 SHEET:  
1 OF 1