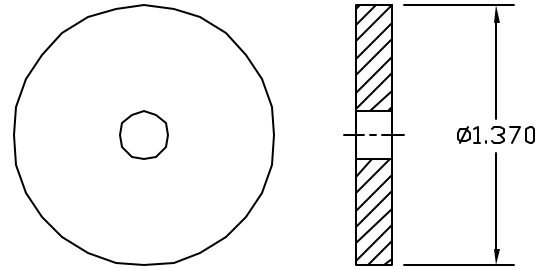
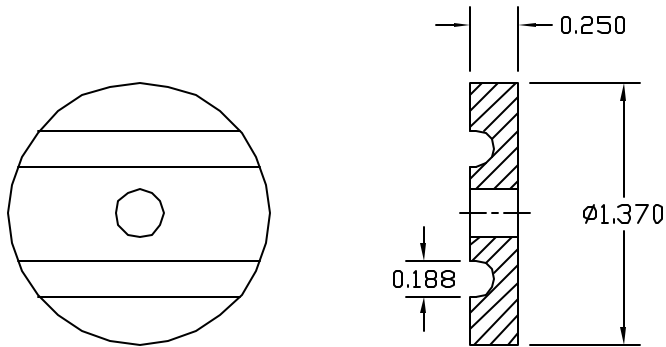


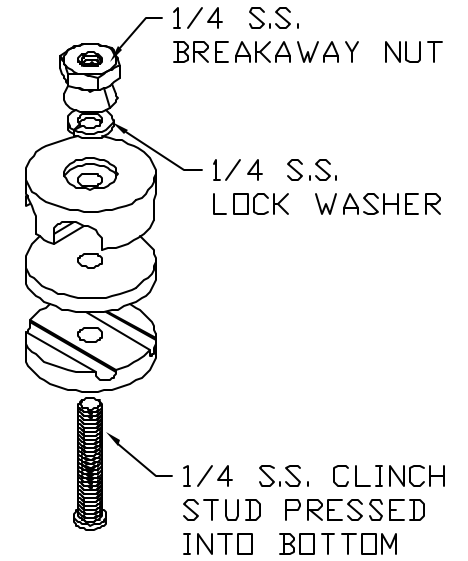
TOP
TIN PLATED
BRASS



MIDDLE
TIN PLATED
BRASS



BOTTOM
TIN PLATED
BRASS



ASSEMBLY

EST WT 0.34#

APPROVED

AS DRAWN: _____
 AS NOTED: _____
 DATE: _____

THIS DOCUMENT AND THE CONTENTS THEREOF IS THE PROPERTY OF HARGER INC., AND IS FURNISHED TO YOU FOR INFORMATION ONLY. THE INFORMATION CONTAINED HEREIN IS CONFIDENTIAL AND OF A PROPRIETARY NATURE AND MUST NOT BE DISCLOSED TO THIRD PARTIES WITHOUT THE EXPRESS WRITTEN APPROVAL OF HARGER INC.

LET	REVISION	DATE	BY

TOLERANCES UNLESS NOTED:
 FRACTIONAL +/- 1/64
 .00 +/- .010
 .000 +/- .005

PART NO. FGC2/OTP
 FENCE GROUND CLAMP

DRAWN BY:
LAL
 CHECKED BY:
 DATE:
041211



301 ZIEGLER DRIVE
 GRAYSLAKE, IL 60030
 (847) 548-8700

REVISION:
-
 SCALE:
FULL
 SHEET:
1 OF 1