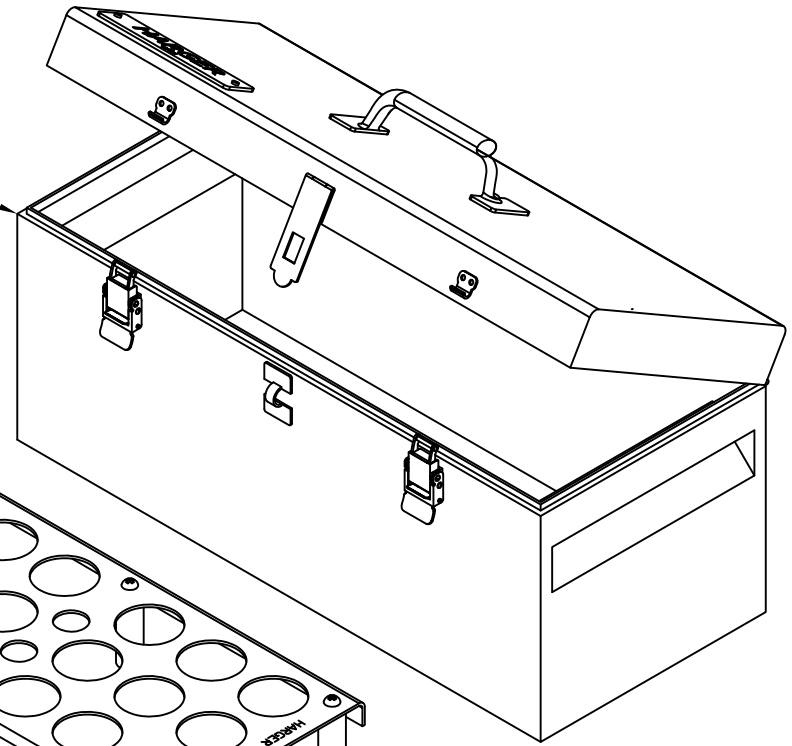
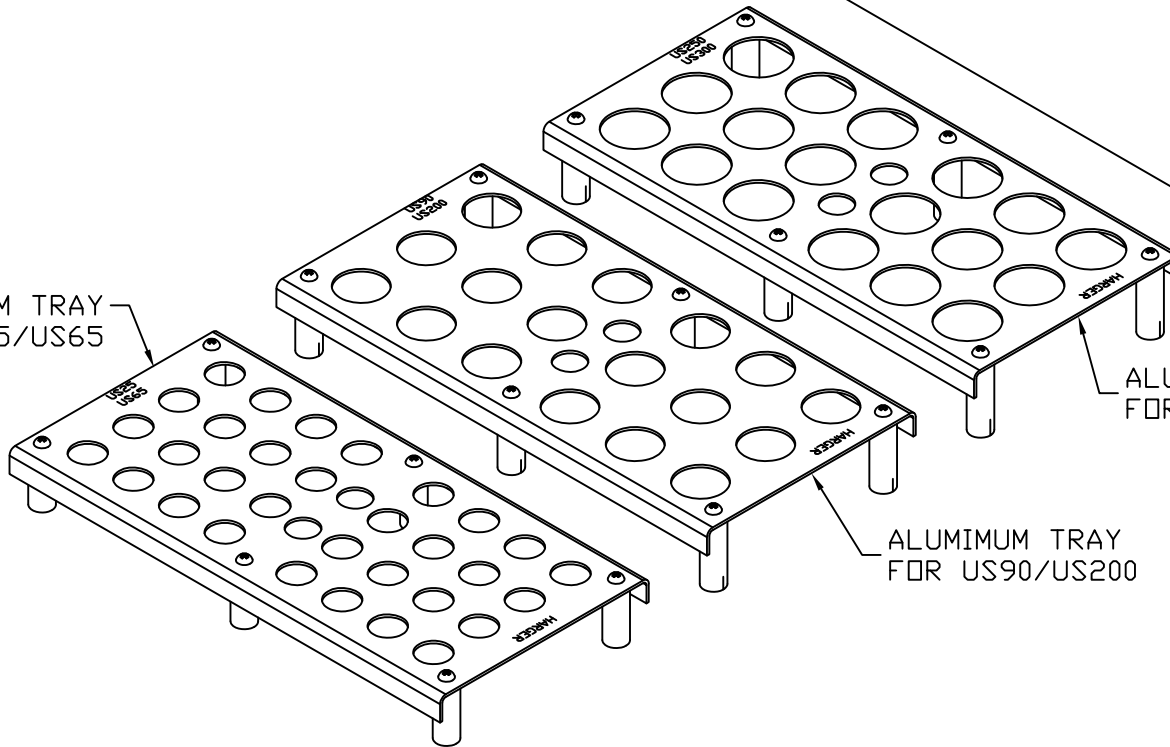


ALUMINUM LABEL

20x8x9
METAL TOOLBOX



ALUMINUM TRAY
FOR US25/US65



ALUMINUM TRAY
FOR US250/US300

ALUMINUM TRAY
FOR US90/US200

EST WT 10.5#

APPROVED

AS DRAWN: _____
 AS NOTED: _____
 DATE: _____

THIS DOCUMENT AND THE CONTENTS THEREOF IS THE PROPERTY OF HARGER INC., AND IS FURNISHED TO YOU FOR INFORMATION ONLY. THE INFORMATION CONTAINED HEREIN IS CONFIDENTIAL AND OF A PROPRIETARY NATURE AND MUST NOT BE DISCLOSED TO THIRD PARTIES WITHOUT THE EXPRESS WRITTEN APPROVAL OF HARGER INC.

A	WAS USBOX	051617	LAL
LET	REVISION	DATE	BY
TOLERANCES UNLESS NOTED:		3RD ANGLE PROJECTION	
FRACTIONAL +/- 1/16		⊕	
DECIMAL +/- .030			
BREAK SHARP EDGES			

PART NO. USBOXKIT
 ULTRASHOT TOOLBOX

DRAWN BY:
LAL
 CHECKED BY:
 DATE:
021417



301 ZIEGLER DRIVE
 GRAYSLAKE, IL 60030
 (847) 548-8700

REVISION:
A
 SCALE:
3/16
 SHEET:
1 OF 1