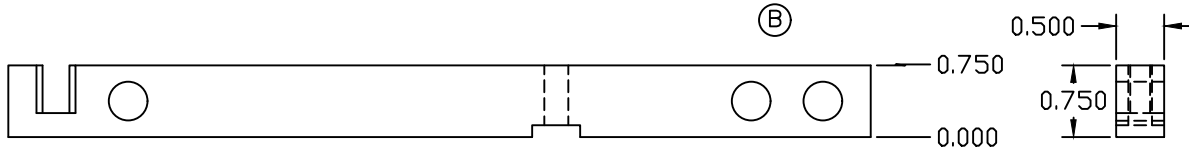
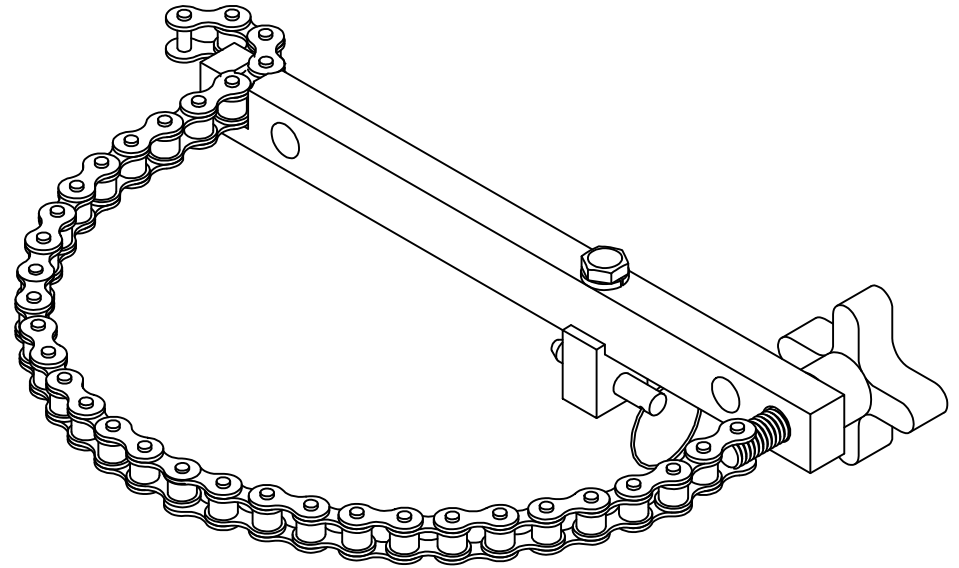
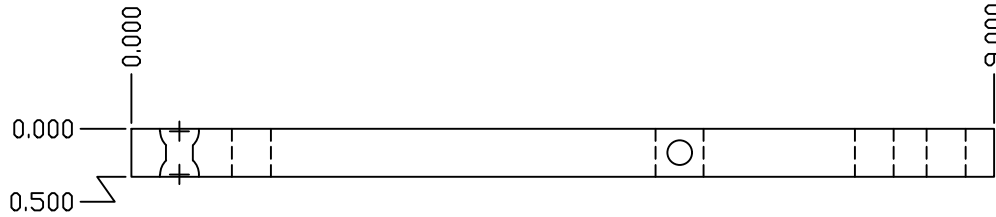


(A) (D)

EXTENSION
ZINC PLATE



(C) ARM
ZINC CLEAR
PLATE

APPROVED

AS DRAWN: _____
 AS NOTED: _____
DATE: _____

THIS DOCUMENT AND THE CONTENTS THEREOF IS THE PROPERTY OF HARGER INC., AND IS FURNISHED TO YOU FOR INFORMATION ONLY. THE INFORMATION CONTAINED HEREIN IS CONFIDENTIAL AND OF A PROPRIETARY NATURE AND MUST NOT BE DISCLOSED TO THIRD PARTIES WITHOUT THE EXPRESS WRITTEN APPROVAL OF HARGER INC.

E	REVISED CHAIN SLOT	032823	LAL
D	WAS +.005-0 ECO 0055	061213	LAL
C	ZINC CLEAR WAS ULTRASEAL	091806	DVB
B	ADDED .120/.125	010505	LAL
A	WAS .252	091504	LAL
LET	REVISION	DATE	BY

TOLERANCES UNLESS NOTED:
FRACTIONAL +/- 1/16
.00 +/- .030
.000 +/- .010

PART NO. CSKITHSVM

DRAWN BY:
LAL

CHECKED BY:

DATE:
050704



301 ZIEGLER DRIVE
GRAYSLAKE, IL 60030
(847) 548-8700

REVISION:
E

SCALE:
1/2

SHEET:
1 OF 1