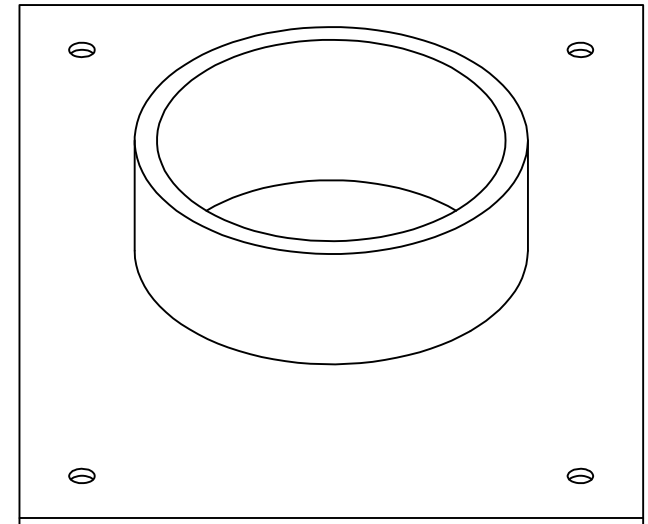


Manufactured By
Harger Lightning Protection, Inc.
800-842-7437
OR
847-548-8700



1 UNIT ENTRANCE PANEL
MAPLE POWDERCOAT FINISH



ONE BLACK PVC CAP
INCLUDED FOR EACH PORT.

MOUNTING HARDWARE INCLUDED

ALUMINUM ENTRY PORT

ESTIMATED WEIGHT: 0.50#

APPROVED

AS DRAWN: _____
 AS NOTED: _____
 DATE: _____

THIS DOCUMENT AND THE CONTENTS THEREOF IS THE PROPERTY OF HARGER INC., AND IS FURNISHED TO YOU FOR INFORMATION ONLY. THE INFORMATION CONTAINED HEREIN IS CONFIDENTIAL AND OF A PROPRIETARY NATURE AND MUST NOT BE DISCLOSED TO THIRD PARTIES WITHOUT THE EXPRESS WRITTEN APPROVAL OF HARGER INC.

LET	REVISION	DATE	BY

TOLERANCES UNLESS NOTED:
 FRACTIONAL +/- 1/16
 .00 +/- .030
 .000 +/- .010

PART NO. HLG220TWP

DRAWN BY:
LAL
 CHECKED BY:
 DATE:
031914



301 ZIEGLER DRIVE
GRAYSLAKE, IL 60030
(847) 548-8700

REVISION:
C
 SCALE:
1/2
 SHEET:
1 OF 1