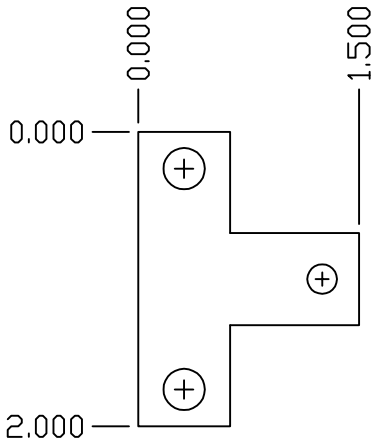
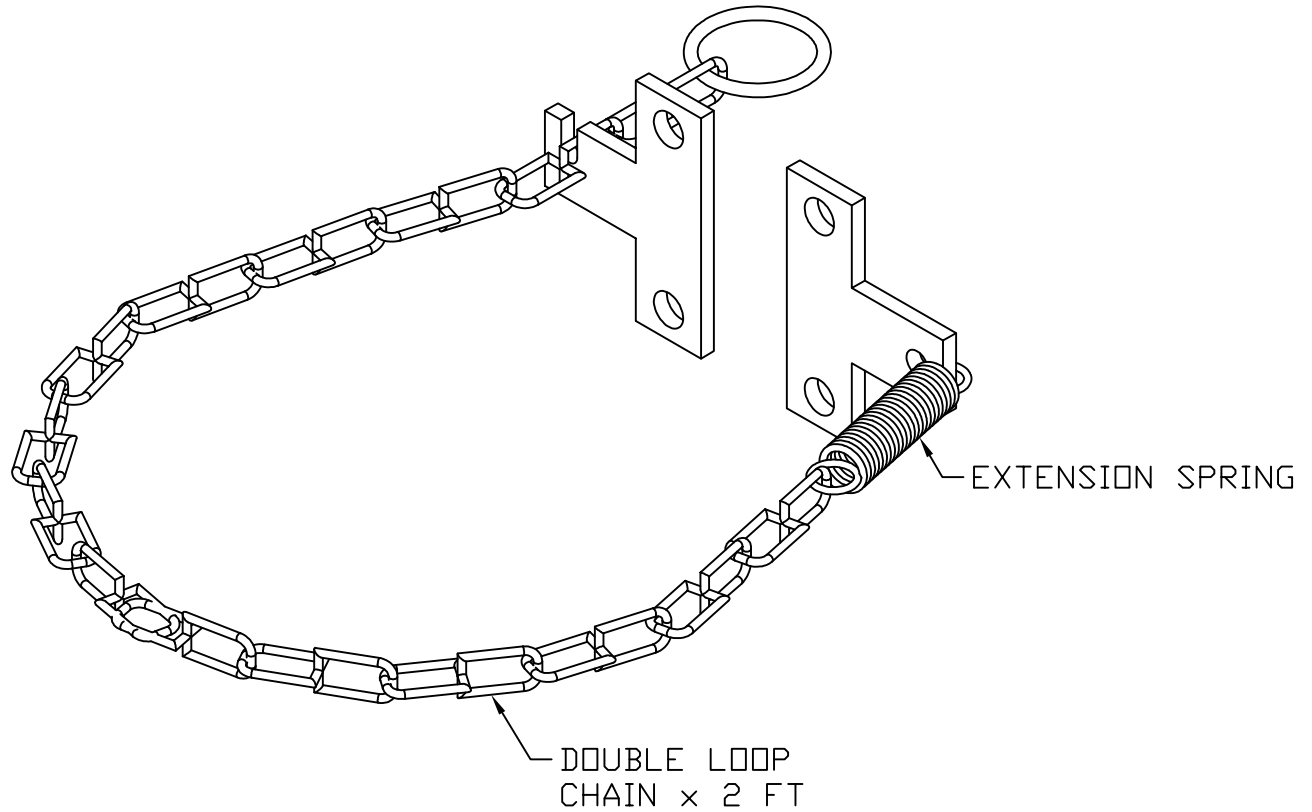


CHAIN BRACKET, 1/8" STEEL  
CLEAR ZINC PLATE



SPRING BRACKET, 1/8" STEEL  
CLEAR ZINC PLATE



CHAIN SUPPORT KIT VERTICAL

EST WT 0.2#

APPROVED

AS DRAWN: \_\_\_\_\_  
 AS NOTED: \_\_\_\_\_  
DATE: \_\_\_\_\_

THIS DOCUMENT AND THE CONTENTS THEREOF IS THE PROPERTY OF HARGER INC., AND IS FURNISHED TO YOU FOR INFORMATION ONLY. THE INFORMATION CONTAINED HEREIN IS CONFIDENTIAL AND OF A PROPRIETARY NATURE AND MUST NOT BE DISCLOSED TO THIRD PARTIES WITHOUT THE EXPRESS WRITTEN APPROVAL OF HARGER INC.

LET	REVISION	DATE	BY
-	-	-	-
TOLERANCES UNLESS NOTED:			
FRACTIONAL +/- 1/64			
.00 +/- .010			
.000 +/- .005			

**PART NO. CSKITVPH3**  
MH3 VERTICAL PIPE ATTACHMENT

DRAWN BY:  
**LAL**  
CHECKED BY:  
DATE:  
041014

**HARGER**  
301 ZIEGLER DRIVE  
GRAYSLAKE, IL 60030  
(847) 548-8700

REVISION:  
-  
SCALE:  
3/4  
SHEET:  
1 OF 1