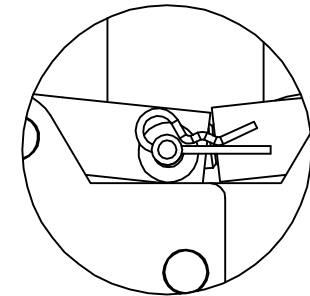
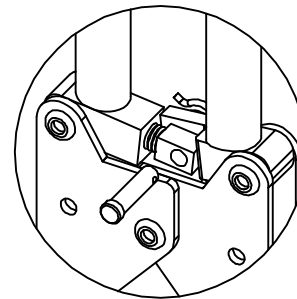
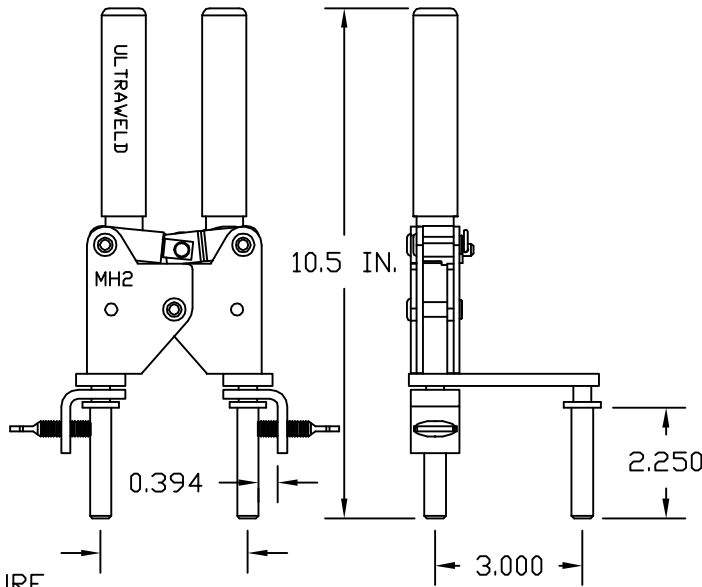


RIVETING DETAIL

PACKAGE 10 PCS PER 12 x 12 x 10 CARTON



3.000 REF.  
SNUG FIT TO  
ASSEMBLY FIXTURE

ASSEMBLY DETAIL

THIS DOCUMENT AND THE CONTENTS THEREOF IS THE PROPERTY OF HARGER INC., AND IS FURNISHED TO YOU FOR INFORMATION ONLY. THE INFORMATION CONTAINED HEREIN IS CONFIDENTIAL AND OF A PROPRIETARY NATURE AND MUST NOT BE DISCLOSED TO THIRD PARTIES WITHOUT THE EXPRESS WRITTEN APPROVAL OF HARGER INC.

I	ECO 0189 REMOVE IGN	052819	WBD
H	ENGRAVE PN ECO 0185	040319	WBD
G	HAIRPIN INSTALL ECO0067	011414	LAL
F	3M 1099 WAS PLOBOND	093011	BK
E	UPDATED TO CAST HANDLES	011006	LAL
D	ADD RMH2 AND CHANGE BOM	042104	EHS
C	CHANGE TO OFFSET STYLE CLAMP	041304	EHS
B	GRIP WAS R3/4HBVHC + ADD R3/4SBVHCP	020304	EHS
A	ADD THUMBSCREW NOTE	120303	EHS
LET	REVISION	DATE	BY
TOLERANCES UNLESS NOTED:			
	FRACTIONAL	+/-	1/16
	.00	+/-	.030
	.000	+/-	.015

**PART NO. MH2**  
MH2 FULL ASSEMBLY  
HARGER INC.

DRAWN BY:  
EHS

CHECKED BY:

DATE:  
021202



301 ZIEGLER DRIVE  
GRAYSLAKE, IL 60030  
(847) 548-8700

REVISION:  
1  
SCALE:  
1/4  
SHEET:  
1 OF 1