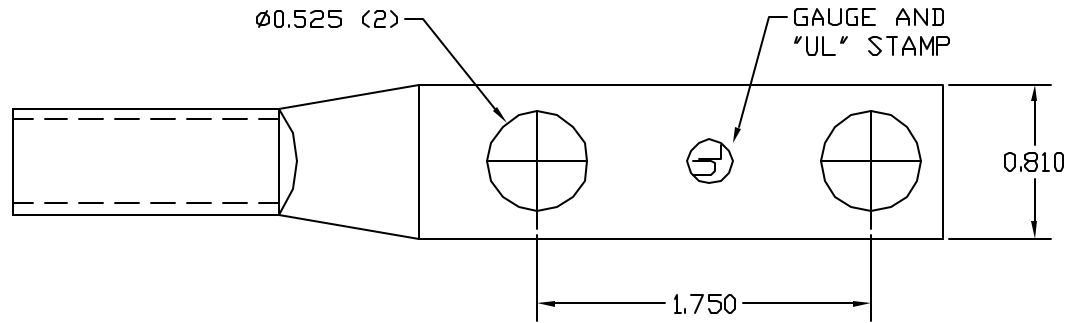


CLEAR LETTERS ON
BLACK BACKGROUND

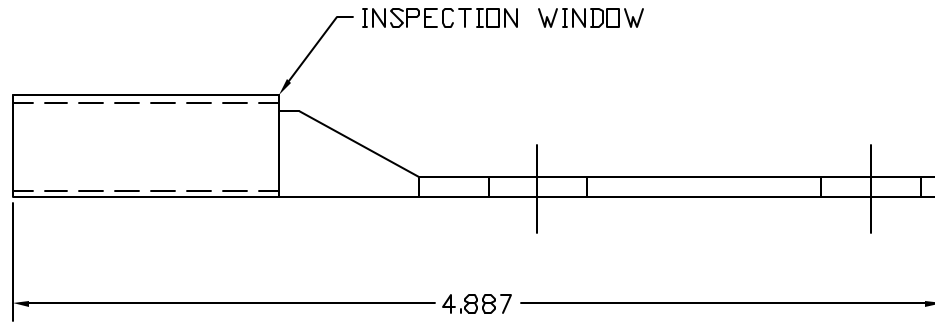
HARGER
GECLB2/02D
BLACK



BARREL LABEL, TOP HALF

BLACK BACKGROUND

[Blank label area]



BARREL LABEL, BOTTOM HALF

<p>THIS DOCUMENT AND THE CONTENTS THEREOF IS THE PROPERTY OF HARGER INC., AND IS FURNISHED TO YOU FOR INFORMATION ONLY. THE INFORMATION CONTAINED HEREIN IS CONFIDENTIAL AND OF A PROPRIETARY NATURE AND MUST NOT BE DISCLOSED TO THIRD PARTIES WITHOUT THE EXPRESS WRITTEN APPROVAL OF HARGER INC.</p>					PART NO. GECLB2/02D			
	A	HOLE TOL WAS .02	100903	WSM	DRAWN BY:	<p>301 ZIEGLER DRIVE GRAYSLAKE, IL 60030 (847) 548-8700</p>	REVISION:	A
	LET	REVISION	DATE	BY	CHECKED BY:		SCALE:	FULL
<p>TOLERANCES UNLESS NOTED:</p> <p>FRACTIONAL +/- 1/64</p> <p>.00 +/- .010</p> <p>.000 +/- .005</p>				DATE:		SHEET:	1 OF 1	
				021302				