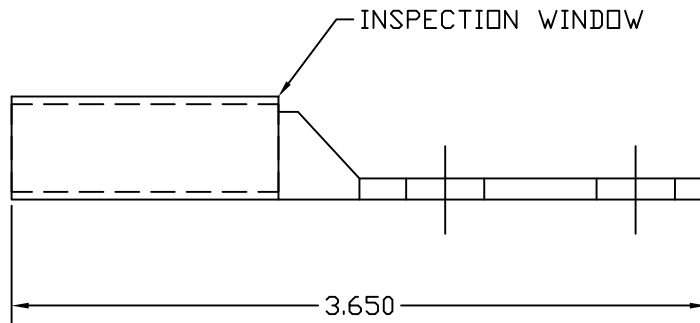
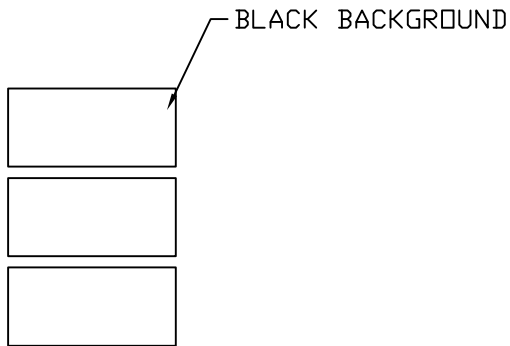


BARREL LABEL, TOP HALF



BARREL LABEL, BOTTOM HALF

LONG BARREL LUG

EST. WEIGHT 0.06 LBS

APPROVED

AS DRAWN: _____

AS NOTED: _____

DATE: _____

THIS DOCUMENT AND THE CONTENTS THEREOF IS THE PROPERTY OF HARGER INC., AND IS FURNISHED TO YOU FOR INFORMATION ONLY. THE INFORMATION CONTAINED HEREIN IS CONFIDENTIAL AND OF A PROPRIETARY NATURE AND MUST NOT BE DISCLOSED TO THIRD PARTIES WITHOUT THE EXPRESS WRITTEN APPROVAL OF HARGER INC.

-	-	-	-
-	-	-	-
-	-	-	-
-	-	-	-
-	-	-	-
A	HOLE TOL WAS .02	100903	WSM
LET	REVISION	DATE	BY
TOLERANCES UNLESS NOTED:		3RD ANGLE PROJECTION	
FRACTIONAL	+/- 1/16		
.00	+/- .030		
.000	+/- .010		

PART NO. GECLB2/020
2/0 2-HOLE LONG BARREL LUG

DRAWN BY: WSM
CHECKED BY: -
DATE: 080702



301 ZIEGLER DRIVE
GRAYSLAKE, IL 60030
(847) 548-8700

REVISION: A
SCALE: FULL
SHEET: 1 OF 1