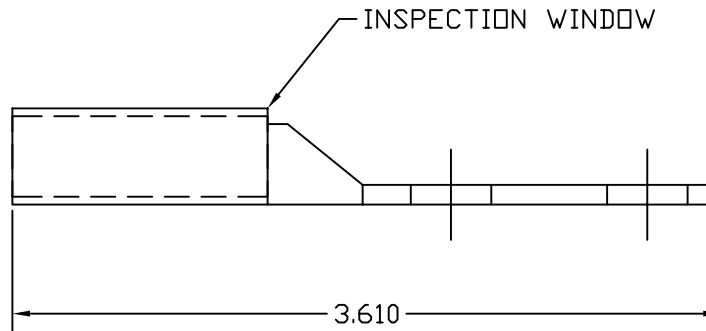
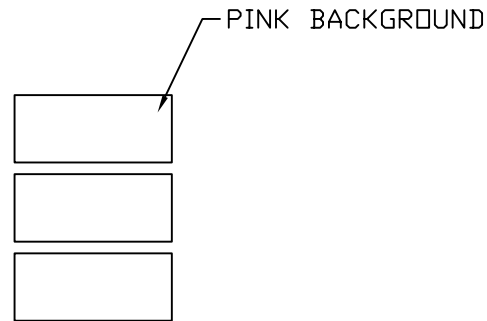


BARREL LABEL, TOP HALF



BARREL LABEL, BOTTOM HALF

<p>THIS DOCUMENT AND THE CONTENTS THEREOF IS THE PROPERTY OF HARGER INC., AND IS FURNISHED TO YOU FOR INFORMATION ONLY. THE INFORMATION CONTAINED HEREIN IS CONFIDENTIAL AND OF A PROPRIETARY NATURE AND MUST NOT BE DISCLOSED TO THIRD PARTIES WITHOUT THE EXPRESS WRITTEN APPROVAL OF HARGER INC.</p>					PART NO. GECLB1/02C	
	A	HOLE TOL WAS .02	100903	WSM	WSM	REVISION: A
	LET	REVISION	DATE	BY	CHECKED BY:	SCALE: FULL
<p>TOLERANCES UNLESS NOTED:</p> <p>FRACTIONAL +/- 1/64</p> <p>.00 +/- .010</p> <p>.000 +/- .005</p>				DATE: 020802	<p>HARGER™</p> <p>301 ZIEGLER DRIVE GRAYSLAKE, IL 60030 (847) 548-8700</p>	SHEET: 1 OF 1