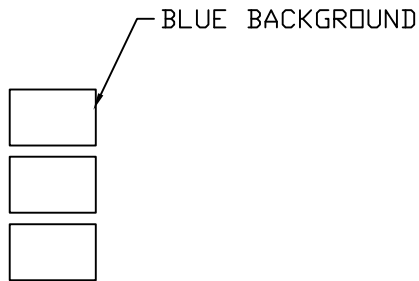
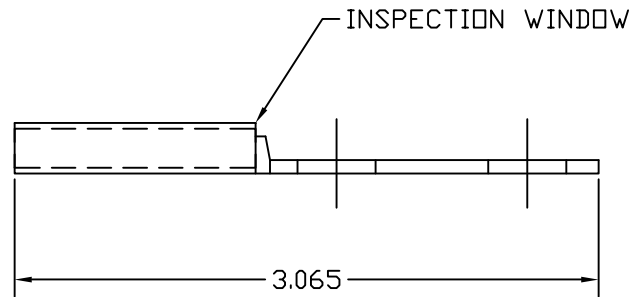
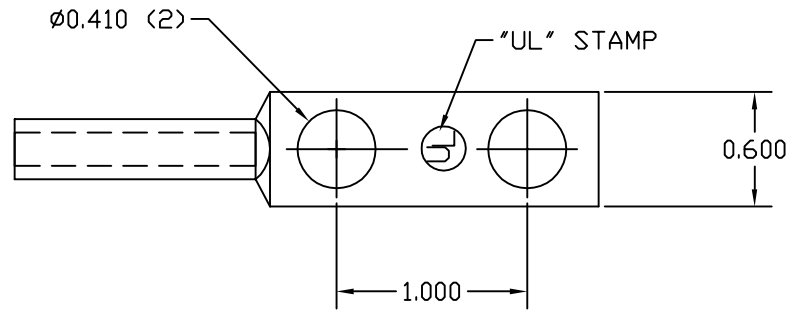


BARREL LABEL, TOP HALF



BARREL LABEL, BOTTOM HALF



LONG BARREL LUG

EST. WEIGHT 0.04 LBS

APPROVED

AS DRAWN: _____
 AS NOTED: _____
 DATE: _____

THIS DOCUMENT AND THE CONTENTS THEREOF IS THE PROPERTY OF HARGER INC., AND IS FURNISHED TO YOU FOR INFORMATION ONLY. THE INFORMATION CONTAINED HEREIN IS CONFIDENTIAL AND OF A PROPRIETARY NATURE AND MUST NOT BE DISCLOSED TO THIRD PARTIES WITHOUT THE EXPRESS WRITTEN APPROVAL OF HARGER INC.

-	-	-	-
-	-	-	-
-	-	-	-
-	-	-	-
-	-	-	-
A	HOLE TOL WAS .02	100903	WSM
LET	REVISION	DATE	BY
TOLERANCES UNLESS NOTED:		3RD ANGLE PROJECTION	
FRACTIONAL	+/- 1/64		
.00	+/- .010		
.000	+/- .005		

PART NO. GECLB62C
 6 2-HOLE LONG BARREL LUG

DRAWN BY: WSM
 CHECKED BY: -
 DATE: 080702



301 ZIEGLER DRIVE
 GRAYSLAKE, IL 60030
 (847) 548-8700

REVISION: A
 SCALE: FULL
 SHEET: 1 OF 1