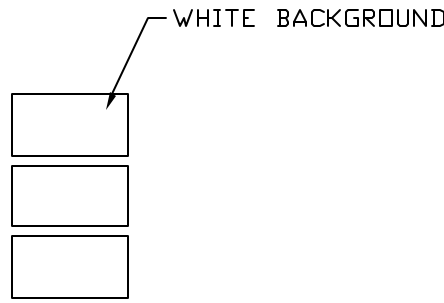
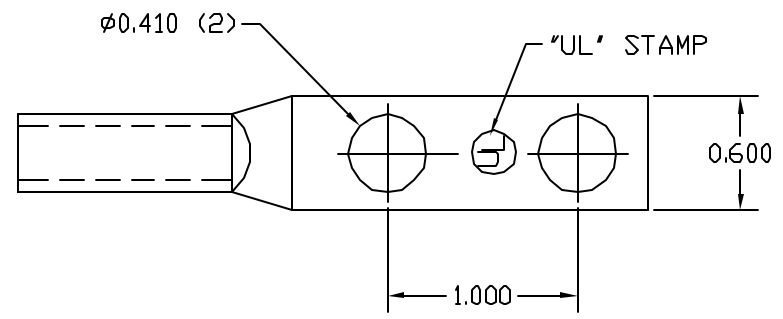
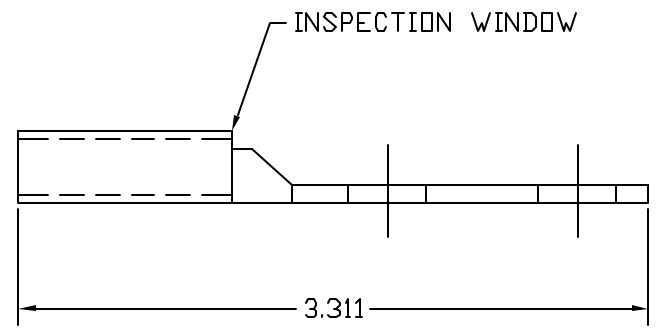


BARREL LABEL, TOP HALF



BARREL LABEL, BOTTOM HALF



<p>THIS DOCUMENT AND THE CONTENTS THEREOF IS THE PROPERTY OF HARGER INC., AND IS FURNISHED TO YOU FOR INFORMATION ONLY. THE INFORMATION CONTAINED HEREIN IS CONFIDENTIAL AND OF A PROPRIETARY NATURE AND MUST NOT BE DISCLOSED TO THIRD PARTIES WITHOUT THE EXPRESS WRITTEN APPROVAL OF HARGER INC.</p>					PART NO. GECLB22CS		
					DRAWN BY: WSM	<p>301 ZIEGLER DRIVE GRAYSLAKE, IL 60030 (847) 548-8700</p>	REVISION: -
	LET	REVISION	DATE	BY	CHECKED BY:		SCALE: FULL
	TOLERANCES UNLESS NOTED:			DATE: 080702		SHEET: 1 OF 1	
	FRACTIONAL	+/-	1/64				
	.00	+/-	.010				
	.000	+/-	.005				