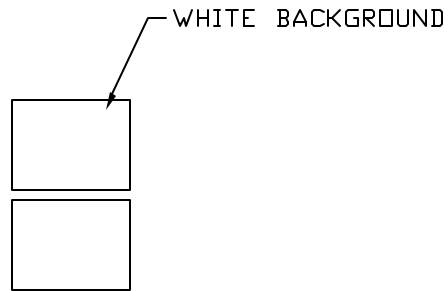
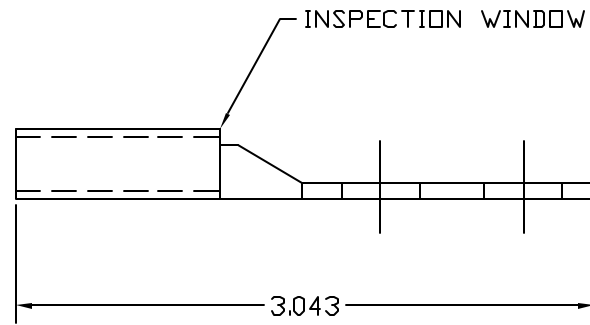
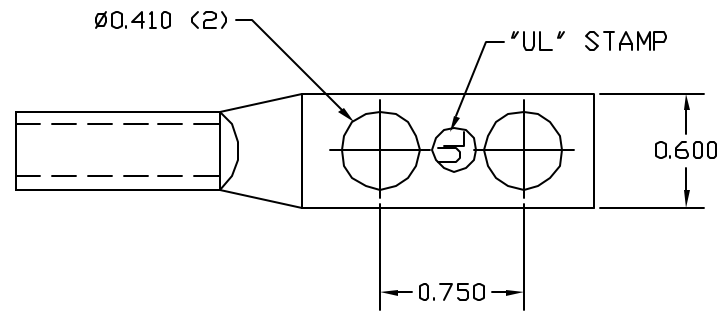



BARREL LABEL, TOP HALF



BARREL LABEL, BOTTOM HALF



THIS DOCUMENT AND THE CONTENTS THEREOF IS THE PROPERTY OF HARGER INC., AND IS FURNISHED TO YOU FOR INFORMATION ONLY. THE INFORMATION CONTAINED HEREIN IS CONFIDENTIAL AND OF A PROPRIETARY NATURE AND MUST NOT BE DISCLOSED TO THIRD PARTIES WITHOUT THE EXPRESS WRITTEN APPROVAL OF HARGER INC.					PART NO. GECLB22BS		
	A	HOLE TOL WAS .02	100903	WSM	DRAWN BY:		REVISION:
	LET	REVISION	DATE	BY	CHECKED BY:		SCALE:
TOLERANCES UNLESS NOTED: FRACTIONAL +/- 1/64 .00 +/- .010 .000 +/- .005				DATE:	301 ZIEGLER DRIVE GRAYSLAKE, IL 60030 (847) 548-8700	SHEET:	
				080702		1 OF 1	