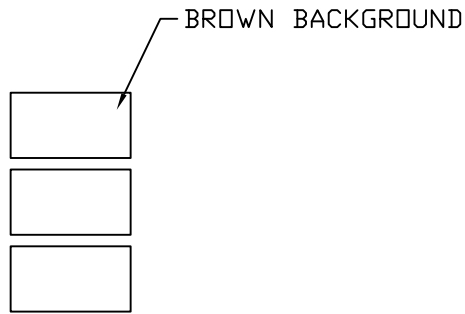
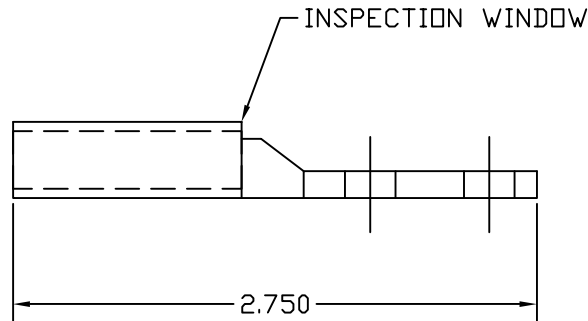
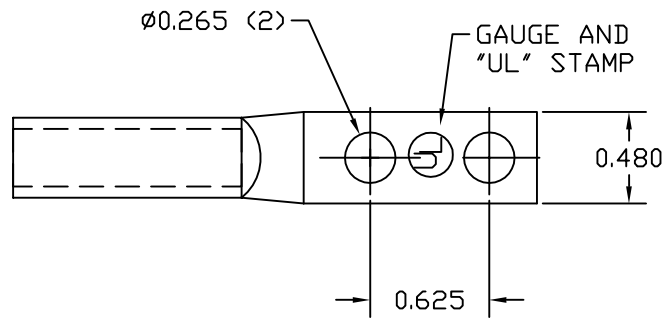


BARREL LABEL, TOP HALF



BARREL LABEL, BOTTOM HALF



LONG BARREL LUG

EST. WEIGHT 0.06 LBS

APPROVED

THIS DOCUMENT AND THE CONTENTS THEREOF IS THE PROPERTY OF HARGER INC., AND IS FURNISHED TO YOU FOR INFORMATION ONLY. THE INFORMATION CONTAINED HEREIN IS CONFIDENTIAL AND OF A PROPRIETARY NATURE AND MUST NOT BE DISCLOSED TO THIRD PARTIES WITHOUT THE EXPRESS WRITTEN APPROVAL OF HARGER INC.

AS DRAWN: _____
 AS NOTED: _____
 DATE: _____

-	-	-	-
-	-	-	-
-	-	-	-
-	-	-	-
-	-	-	-
A	HOLE TOL WAS .02	100903	WSM
LET	REVISION	DATE	BY
TOLERANCES UNLESS NOTED:		3RD ANGLE PROJECTION	
FRACTIONAL	+/- 1/16		
.00	+/- .030		
.000	+/- .010		

PART NO. GECLB22A
 2 2-HOLE LONG BARREL LUG

DRAWN BY: WSM
 CHECKED BY: -
 DATE: 020702



301 ZIEGLER DRIVE
 GRAYSLAKE, IL 60030
 (847) 548-8700

REVISION: A
 SCALE: FULL
 SHEET: 1 OF 1