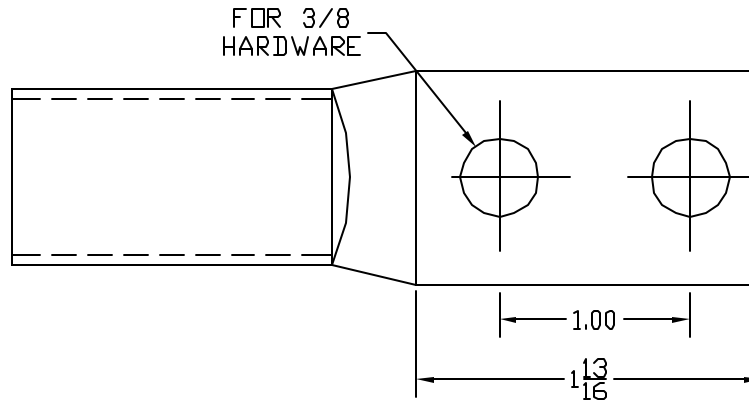


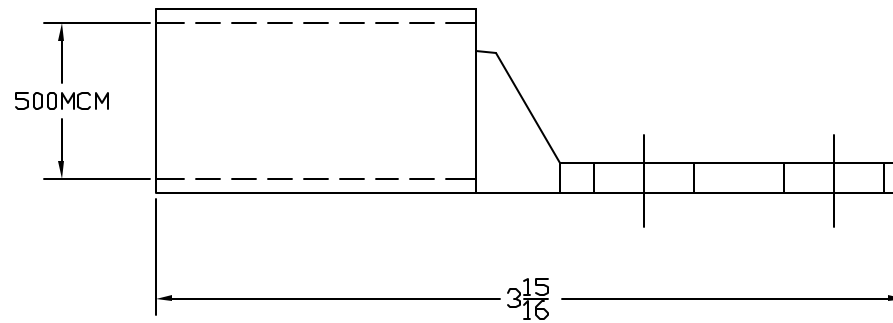
BROWN  
BROWN  
BROWN

BARREL LABEL, TOP HALF



BROWN  
BROWN  
BROWN

BARREL LABEL, BOTTOM HALF



122 ALLOY SOFT COPPER.  
TIN PLATE AFTER WORKING.

APPROVED

AS DRAWN: \_\_\_\_\_  
 AS NOTED: \_\_\_\_\_  
DATE: \_\_\_\_\_

THIS DOCUMENT AND THE CONTENTS THEREOF IS THE PROPERTY OF HARGER INC., AND IS FURNISHED TO YOU FOR INFORMATION ONLY. THE INFORMATION CONTAINED HEREIN IS CONFIDENTIAL AND OF A PROPRIETARY NATURE AND MUST NOT BE DISCLOSED TO THIRD PARTIES WITHOUT THE EXPRESS WRITTEN APPROVAL OF HARGER INC.

LET	REVISION	DATE	BY

TOLERANCES UNLESS NOTED:  
FRACTIONAL +/- 1/16  
.00 +/- .03  
.000 +/- .010

PART NO. GECLB5002C

DRAWN BY:  
LAL  
CHECKED BY:  
DATE:  
021910



301 ZIEGLER DRIVE  
GRAYSLAKE, IL 60030  
(847) 548-8700

REVISION:  
-  
SCALE:  
FULL  
SHEET:  
1 OF 1