

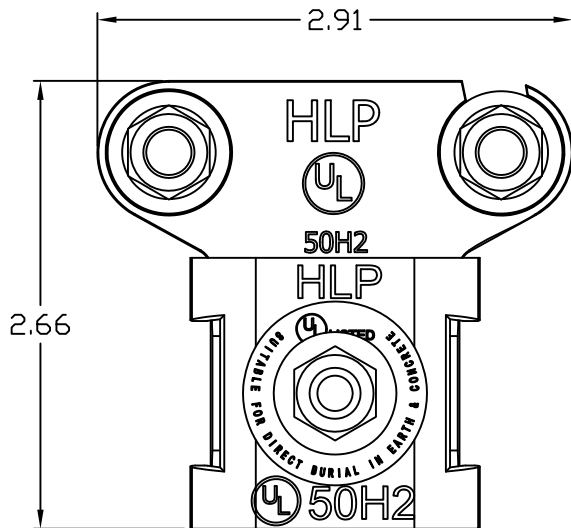
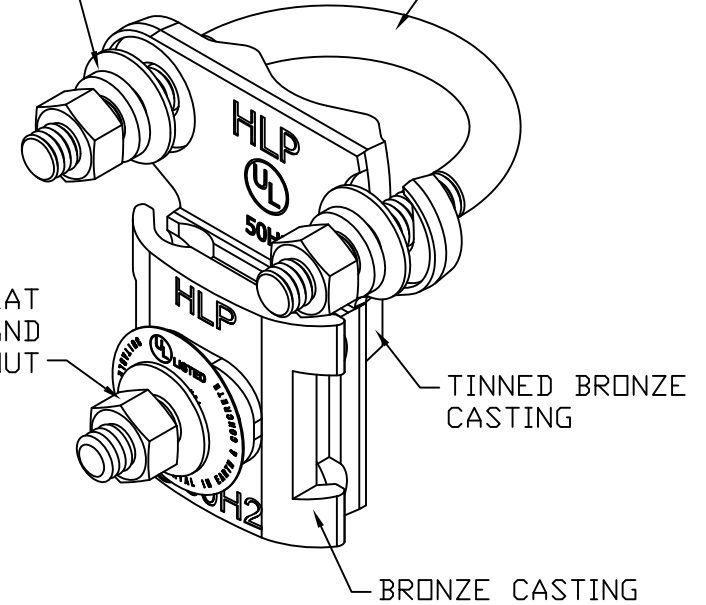
5/16 SS FLAT WASHER
LOCK WASHER AND
HEX NUT

5/16 SS U-BOLT



DIRECT BURIAL LABEL

5/16 SS FLAT
WASHER AND
HEX NUT



BRONZE PIPE CLAMP
1 TO 1-1/4" NOM. PIPE

EST WT 0.79#

APPROVED

AS DRAWN: _____
 AS NOTED: _____
DATE: _____

THIS DOCUMENT AND THE CONTENTS THEREOF IS THE PROPERTY OF HARGER INC., AND IS FURNISHED TO YOU FOR INFORMATION ONLY. THE INFORMATION CONTAINED HEREIN IS CONFIDENTIAL AND OF A PROPRIETARY NATURE AND MUST NOT BE DISCLOSED TO THIRD PARTIES WITHOUT THE EXPRESS WRITTEN APPROVAL OF HARGER INC.

-	-	-	-
C	ADDED DB LABEL	111507	LAL
B	WAS SCS512S	061107	LAL
A	RAW CASTS NOW TINNED	040502	WSM
LET	REVISION	DATE	BY
TOLERANCES UNLESS NOTED:		3RD ANGLE PROJECTION	
FRACTIONAL	+/- 1/16		
.00	+/- .030		
.000	+/- .010		

PART NO. CPC1/1.25
GROUND ROD/PIPE CLAMP

DRAWN BY: KAB
CHECKED BY: _____
DATE: 021100

HARGER™
301 ZIEGLER DRIVE
GRAYSLAKE, IL 60030
(847) 548-8700

REVISION: C
SCALE: NTS
SHEET: 1 OF 1