

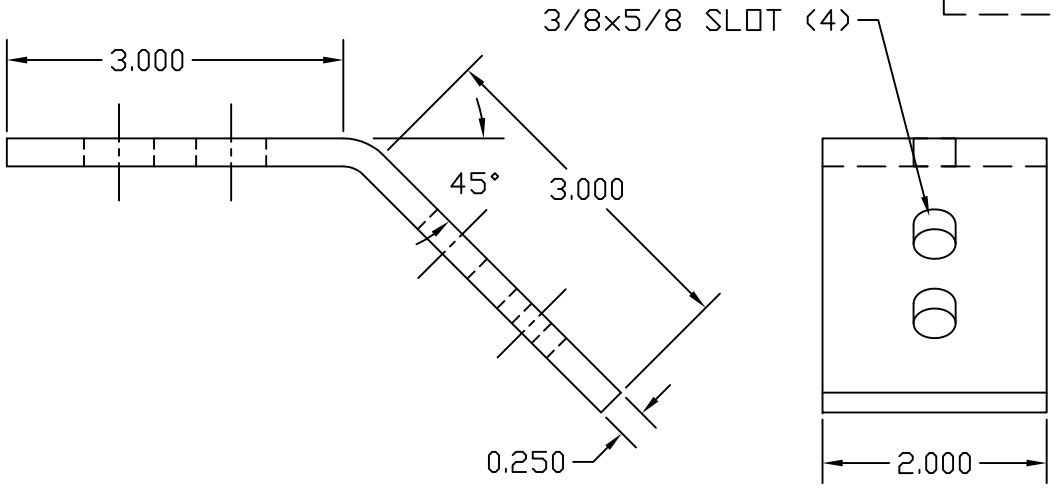
3/8 S.S.
FLAT WASHER

3/8x1 S.S.
HEX BOLT

3/8 S.S.
HEX NUT

3/8 S.S.
LOCK WASHER

POLY-BAG



CU ELBOW 45°

EST. WEIGHT 1.14 LBS

APPROVED

AS DRAWN: _____
 AS NOTED: _____
 DATE: _____

THIS DOCUMENT AND THE CONTENTS THEREOF IS THE PROPERTY OF HARGER INC., AND IS FURNISHED TO YOU FOR INFORMATION ONLY. THE INFORMATION CONTAINED HEREIN IS CONFIDENTIAL AND OF A PROPRIETARY NATURE AND MUST NOT BE DISCLOSED TO THIRD PARTIES WITHOUT THE EXPRESS WRITTEN APPROVAL OF HARGER INC.

LET	REVISION	DATE	BY
TOLERANCES UNLESS NOTED:		3RD ANGLE PROJECTION	
FRACTIONAL	+/- 1/16		
.00	+/- .030		
.000	+/- .010		

PART NO. CU142EL45KIT
 COPPER GROUND BUS ELBOW KIT

DRAWN BY:
LAL
 CHECKED BY:
-
 DATE:
070210



301 ZIEGLER DRIVE
 GRAYSLAKE, IL 60030
 (847) 548-8700

REVISION:
-
 SCALE:
1/2
 SHEET:
1 OF 1