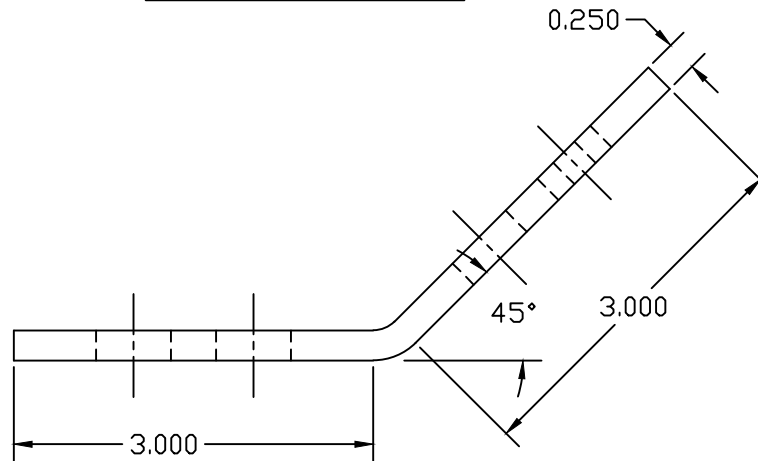


FLAT BAR LAYOUT



45° COPPER ELBOW

EST WT 0.9#

APPROVED

AS DRAWN: _____
 AS NOTED: _____
 DATE: _____

THIS DOCUMENT AND THE CONTENTS THEREOF IS THE PROPERTY OF HARGER INC., AND IS FURNISHED TO YOU FOR INFORMATION ONLY. THE INFORMATION CONTAINED HEREIN IS CONFIDENTIAL AND OF A PROPRIETARY NATURE AND MUST NOT BE DISCLOSED TO THIRD PARTIES WITHOUT THE EXPRESS WRITTEN APPROVAL OF HARGER INC.

A	UPDATED DWG	101801	EHS
LET	REVISION	DATE	BY
TOLERANCES UNLESS NOTED:		3RD ANGLE PROJECTION	
FRACTIONAL	+/- 1/16		
DECIMAL	+/- .030		
BREAK SHARP EDGES			

PART NO. CU142EL45
 45° COPPER ELBOW

DRAWN BY: SSS
 CHECKED BY: -
 DATE: 041295



301 ZIEGLER DRIVE
 GRAYSLAKE, IL 60030
 (847) 548-8700

REVISION: A
 SCALE: 5/8
 SHEET: 1 OF 1