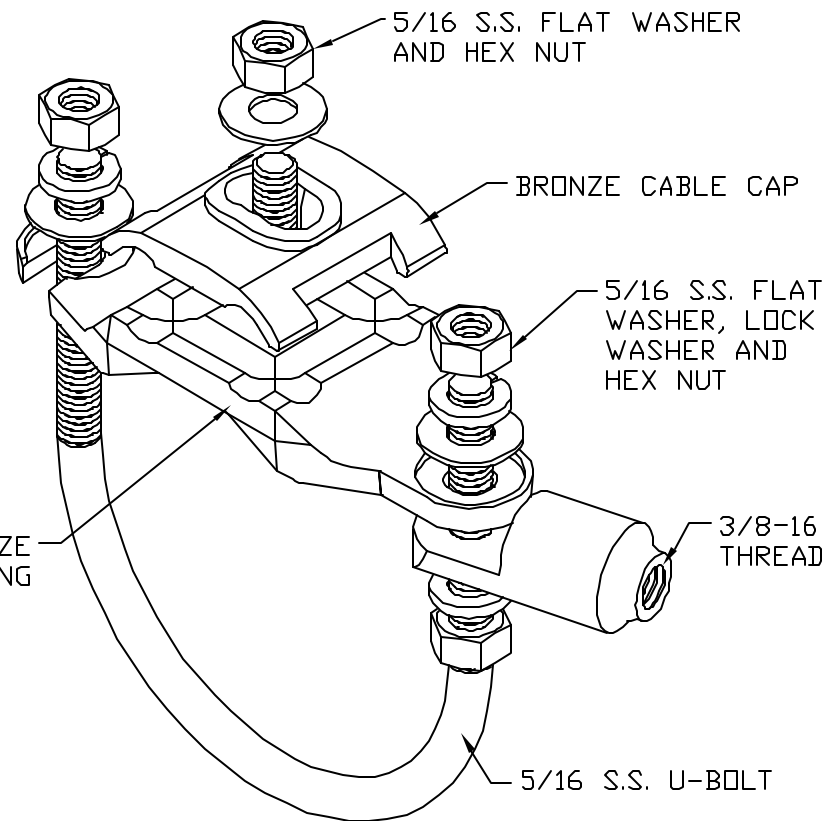


TINNED COPPER PIPE RAIL BASE



2.5/3 NOMINAL PIPE
2.25-3.5 DIA. RANGE

APPROVED

AS DRAWN: _____
 AS NOTED: _____
DATE: _____

THIS DOCUMENT AND THE CONTENTS THEREOF IS THE PROPERTY OF HARGER INC., AND IS FURNISHED TO YOU FOR INFORMATION ONLY. THE INFORMATION CONTAINED HEREIN IS CONFIDENTIAL AND OF A PROPRIETARY NATURE AND MUST NOT BE DISCLOSED TO THIRD PARTIES WITHOUT THE EXPRESS WRITTEN APPROVAL OF HARGER INC.

C	ADD PACKAGING NOTES	071503	EHS
B	ADDED CUBS38AD	110300	LAL
A	WAS 2	051000	KAB
LET	REVISION	DATE	BY
TOLERANCES UNLESS NOTED:			
	FRACTIONAL	+/-	1/64
	.00	+/-	.010
	.000	+/-	.005

PART NO. CPRB2.5/3AT38

DRAWN BY: KAB
CHECKED BY:
DATE: 021100

HARGER
301 ZIEGLER DRIVE
GRAYSLAKE, IL 60030
(847) 548-8700

REVISION: C
SCALE: 3/4
SHEET: -