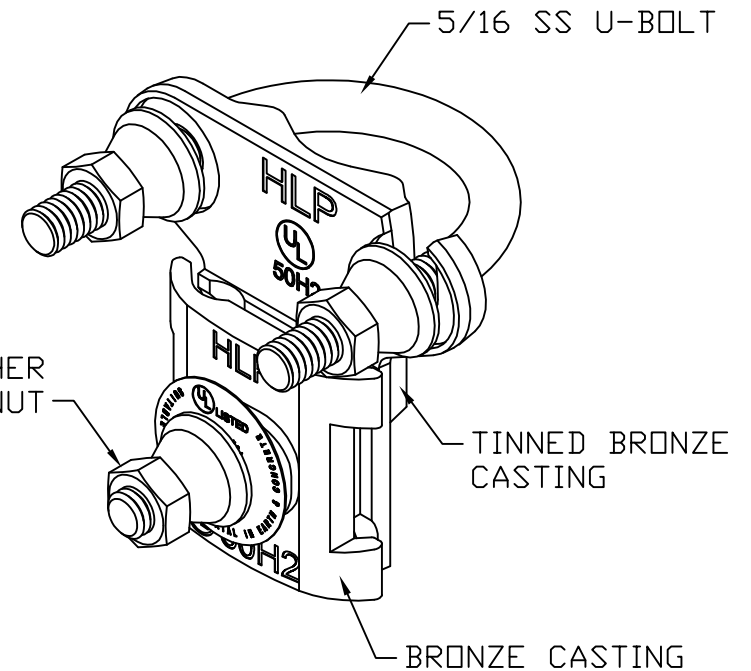


5/16 SS FLAT WASHER  
AND BREAK-AWAY NUT



DIRECT BURIAL LABEL

1" - 1 1/4" COPPER PIPE CLAMP

EST. WEIGHT 0.79 LBS

APPROVED

AS DRAWN: \_\_\_\_\_  
 AS NOTED: \_\_\_\_\_  
 DATE: \_\_\_\_\_

THIS DOCUMENT AND THE CONTENTS THEREOF IS THE PROPERTY OF HARGER INC., AND IS FURNISHED TO YOU FOR INFORMATION ONLY. THE INFORMATION CONTAINED HEREIN IS CONFIDENTIAL AND OF A PROPRIETARY NATURE AND MUST NOT BE DISCLOSED TO THIRD PARTIES WITHOUT THE EXPRESS WRITTEN APPROVAL OF HARGER INC.

LET	REVISION	DATE	BY
TOLERANCES UNLESS NOTED:		3RD ANGLE PROJECTION	
FRACTIONAL	+/- 1/16		
.00	+/- .030		
.000	+/- .010		

PART NO. CPC1/1.25TP  
GROUND ROD/PIPE CLAMP

DRAWN BY:  
LAL  
CHECKED BY:  
-  
DATE:  
111308



301 ZIEGLER DRIVE  
GRAYS LAKE, IL 60030  
(847) 548-8700

REVISION:  
-  
SCALE:  
NTS  
SHEET:  
1 OF 1