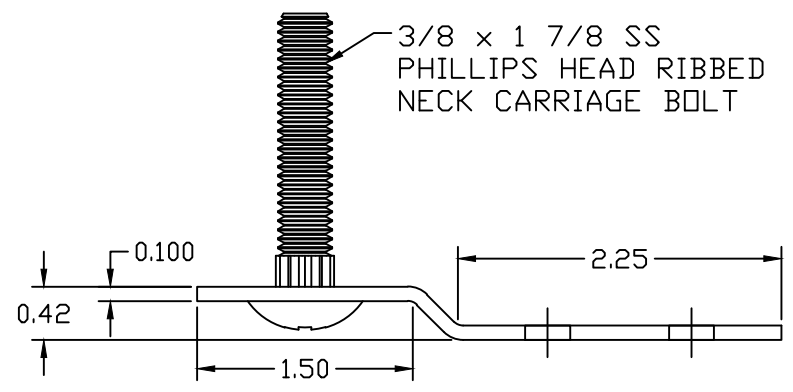
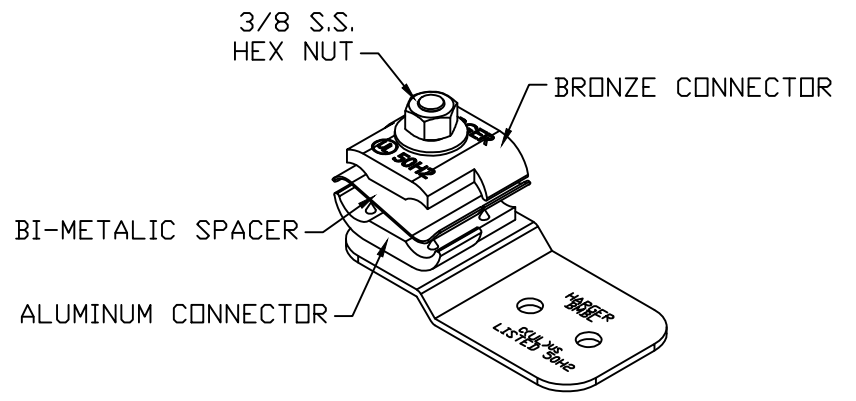


ALUMINUM BASE PLATE



BI-METAL BONDING LUG

EST WT 0.36#

APPROVED

AS DRAWN: _____
 AS NOTED: _____
 DATE: _____

THIS DOCUMENT AND THE CONTENTS THEREOF IS THE PROPERTY OF HARGER INC., AND IS FURNISHED TO YOU FOR INFORMATION ONLY. THE INFORMATION CONTAINED HEREIN IS CONFIDENTIAL AND OF A PROPRIETARY NATURE AND MUST NOT BE DISCLOSED TO THIRD PARTIES WITHOUT THE EXPRESS WRITTEN APPROVAL OF HARGER INC.

B	ECO 0102	020518	WBD
A	ADD ENGRAVING	072517	WBD
	ADD .5 RADII ROTATE		
	HOLE PATTERN 90 DEG		
LET	REVISION	DATE	BY
TOLERANCES UNLESS NOTED:		3RD ANGLE PROJECTION	
FRACTIONAL +/- 1/16			
DECIMAL +/- .030			
BREAK SHARP EDGES			

PART NO. BMBL
 BONDING LUG

DRAWN BY:
 LAL
 CHECKED BY:
 DATE:
 112905



301 ZIEGLER DRIVE
 GRAYSLAKE, IL 60030
 (847) 548-8700

REVISION:
 B
 SCALE:
 3/4
 SHEET:
 1 OF 1