

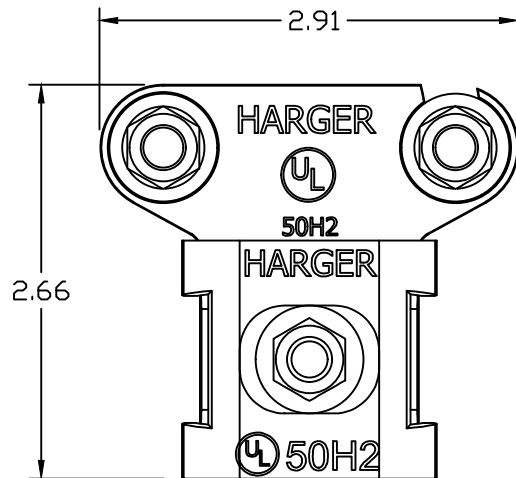
5/16 SS FLAT WASHER
LOCK WASHER AND
HEX NUT

5/16 SS U-BOLT

5/16 SS FLAT
WASHER AND
HEX NUT

ALUMINUM CASTING

ALUMINUM CASTING



FOR NOMINAL PIPE
1 TO 1-1/4

1 TO 1-1/4" ALUMINUM PIPE CLAMP

EST WT 0.37#

APPROVED

AS DRAWN: _____
 AS NOTED: _____
 DATE: _____

THIS DOCUMENT AND THE CONTENTS THEREOF IS THE PROPERTY OF HARGER INC., AND IS FURNISHED TO YOU FOR INFORMATION ONLY. THE INFORMATION CONTAINED HEREIN IS CONFIDENTIAL AND OF A PROPRIETARY NATURE AND MUST NOT BE DISCLOSED TO THIRD PARTIES WITHOUT THE EXPRESS WRITTEN APPROVAL OF HARGER INC.

| | | | |
|--------------------------|-----------------|----------------------|-----|
| | | | |
| | | | |
| | | | |
| A | ADDED PACKAGING | 020204 | WSM |
| LET | REVISION | DATE | BY |
| TOLERANCES UNLESS NOTED: | | 3RD ANGLE PROJECTION | |
| FRACTIONAL | +/- 1/16 | | |
| DECIMAL | +/- .030 | | |
| REMOVE ALL BURRS/FLASH | | | |

PART NO. APC1/1.25
PIPE CLAMP

DRAWN BY:
KAB
CHECKED BY:
DATE:
021100



301 ZIEGLER DRIVE
GRAYSLAKE, IL 60030
(847) 548-8700

REVISION:
A
SCALE:
3/4
SHEET:
1 OF 1