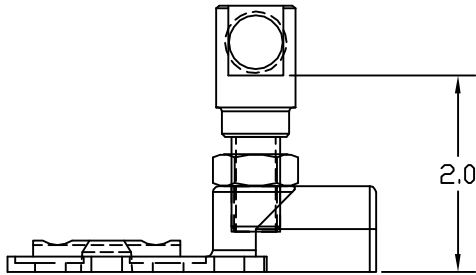
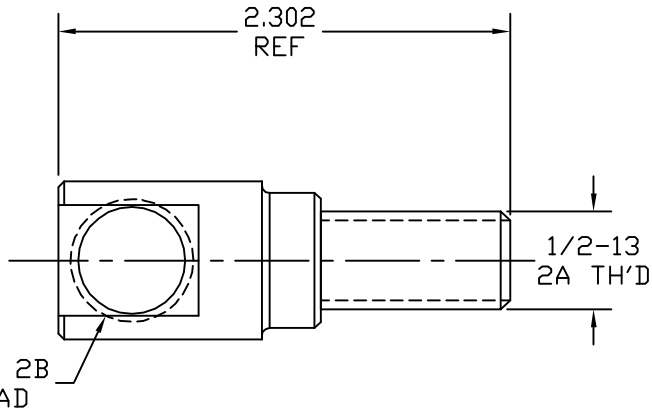
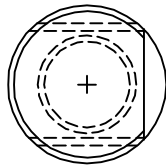


1/2-13 SS
JAM NUT



ALUMINUM PARAPET BASE EXTENSION 2"

EST WT 0.09#

APPROVED

AS DRAWN: _____
 AS NOTED: _____
 DATE: _____

THIS DOCUMENT AND THE CONTENTS THEREOF IS THE PROPERTY OF HARGER INC., AND IS FURNISHED TO YOU FOR INFORMATION ONLY. THE INFORMATION CONTAINED HEREIN IS CONFIDENTIAL AND OF A PROPRIETARY NATURE AND MUST NOT BE DISCLOSED TO THIRD PARTIES WITHOUT THE EXPRESS WRITTEN APPROVAL OF HARGER INC.

A	REMOVED UNDERCUT	022618	LAL
LET	REVISION	DATE	BY
TOLERANCES UNLESS NOTED:		3RD ANGLE PROJECTION	
FRACTIONAL	+/- 1/16		
.00	+/- .03		
.000	+/- .010		

PART NO. APBE2-5/8
PARAPET EXTENSION

DRAWN BY:
LAL
CHECKED BY:
DATE:
073103



301 ZIEGLER DRIVE
GRAYSLAKE, IL 60030
(847) 548-8700

REVISION:
A
SCALE:
FULL
SHEET:
1 OF 1