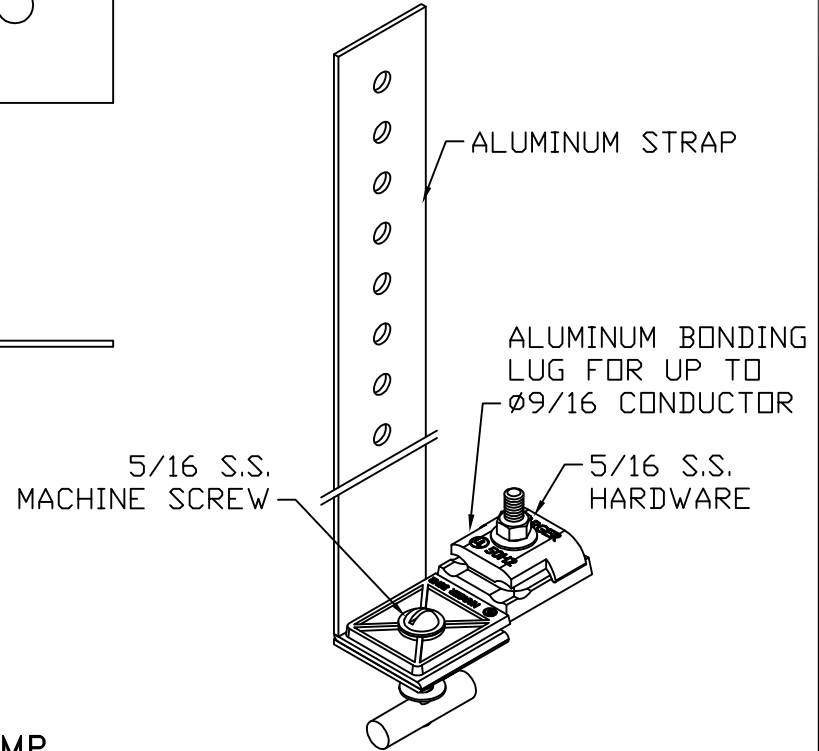
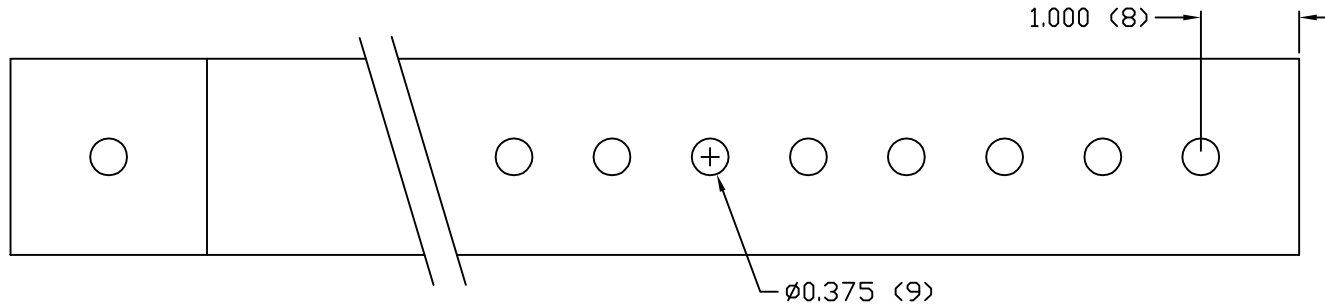


(A)



**ALUMINUM STRAP PIPE CLAMP**  
 10.75 - 12.75 ACTUAL DIAMETER

EST WT 1.3#

**APPROVED**

AS DRAWN: \_\_\_\_\_  
 AS NOTED: \_\_\_\_\_  
 DATE: \_\_\_\_\_

THIS DOCUMENT AND THE CONTENTS THEREOF IS THE PROPERTY OF HARGER INC., AND IS FURNISHED TO YOU FOR INFORMATION ONLY. THE INFORMATION CONTAINED HEREIN IS CONFIDENTIAL AND OF A PROPRIETARY NATURE AND MUST NOT BE DISCLOSED TO THIRD PARTIES WITHOUT THE EXPRESS WRITTEN APPROVAL OF HARGER INC.

C	REDESIGN BONDING LUG	050316	LAL
B	HAD A222 IN BOM; BROKE OUT	062308	DVB
A	WAS 43.00"	101600	KAB
LET	REVISION	DATE	BY
TOLERANCES UNLESS NOTED:		3RD ANGLE PROJECTION	
FRACTIONAL +/- 1/16		⊕	
DECIMAL +/- .030		◁	
BREAK SHARP EDGES			

**PART NO. A23112**  
 STRAP PIPE CLAMP

DRAWN BY:  
 LAL  
 CHECKED BY:  
 DATE:  
 042299



301 ZIEGLER DRIVE  
 GRAYSLAKE, IL 60030  
 (847) 548-8700

REVISION:  
 C  
 SCALE:  
 1/2  
 SHEET:  
 1 OF 1