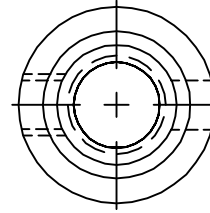
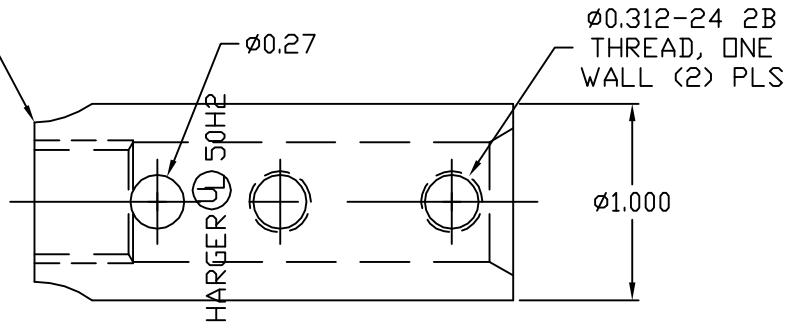
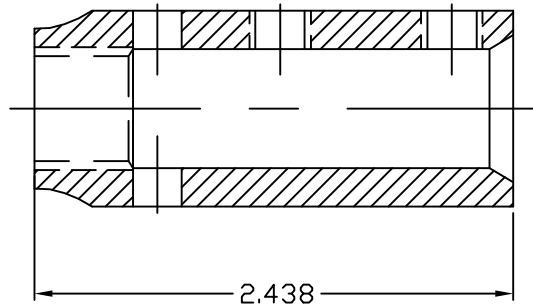
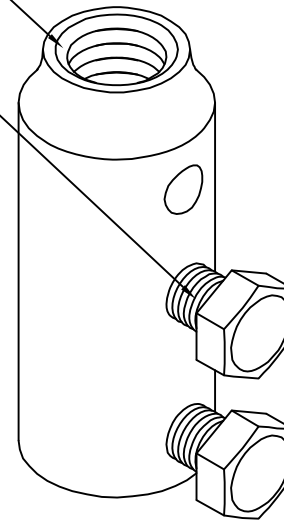


BREAK SHARP CORNER



5/8-11 THREAD
5 THREADS MIN.

5/16x3/4 S.S.
HEX SCREWS



EST WT 0.1#

APPROVED

AS DRAWN: _____
 AS NOTED: _____
 DATE: _____

THIS DOCUMENT AND THE CONTENTS THEREOF IS THE PROPERTY OF HARGER INC., AND IS FURNISHED TO YOU FOR INFORMATION ONLY. THE INFORMATION CONTAINED HEREIN IS CONFIDENTIAL AND OF A PROPRIETARY NATURE AND MUST NOT BE DISCLOSED TO THIRD PARTIES WITHOUT THE EXPRESS WRITTEN APPROVAL OF HARGER INC.

LET	REVISION	DATE	BY

TOLERANCES UNLESS NOTED:
 FRACTIONAL +/- 1/16
 .00 +/- .03
 .000 +/- .010

PART NO. A158R-5/8

DRAWN BY:
LAL
 CHECKED BY:
 DATE:
050710

HARGER™
 301 ZIEGLER DRIVE
 GRAYSLAKE, IL 60030
 (847) 548-8700

REVISION:
-
 SCALE:
FULL
 SHEET:
1 OF 1