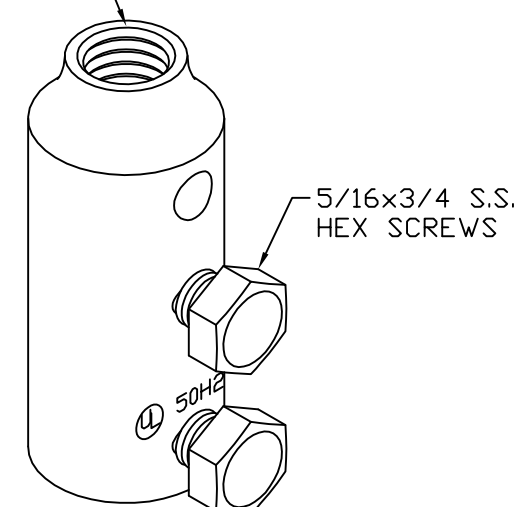


1/2-13 THREAD  
5 THREADS MIN.



ASSEMBLY

ALUMINUM VERTICAL BASE

EST WT 0.15#

APPROVED

AS DRAWN: \_\_\_\_\_  
 AS NOTED: \_\_\_\_\_  
 DATE: \_\_\_\_\_

THIS DOCUMENT AND THE CONTENTS THEREOF IS THE PROPERTY OF HARGER INC., AND IS FURNISHED TO YOU FOR INFORMATION ONLY. THE INFORMATION CONTAINED HEREIN IS CONFIDENTIAL AND OF A PROPRIETARY NATURE AND MUST NOT BE DISCLOSED TO THIRD PARTIES WITHOUT THE EXPRESS WRITTEN APPROVAL OF HARGER INC.

LET	REVISION	DATE	BY
-	-	-	-
TOLERANCES UNLESS NOTED:			
FRACTIONAL +/- 1/16			
.00 +/- .03			
.000 +/- .010			
		3RD ANGLE PROJECTION	

PART NO. A158R  
 VERTICAL BASE

DRAWN BY:  
LAL  
 CHECKED BY:  
 DATE:  
042710

**HARGER™**  
 301 ZIEGLER DRIVE  
 GRAYSLAKE, IL 60030  
 (847) 548-8700

REVISION:  
-  
 SCALE:  
FULL  
 SHEET:  
1 OF 1