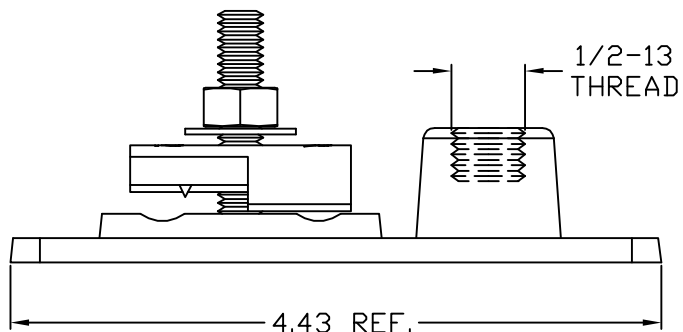
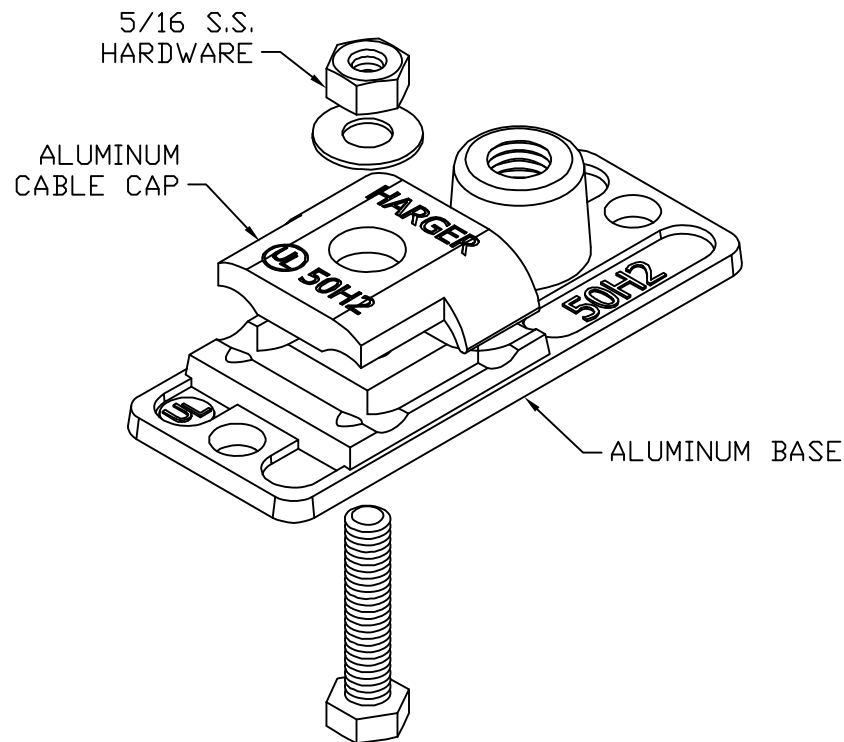


Ø0.328 MIN.  
(2) PLS



### ALUMINUM RECTANGULAR HORIZONTAL BASE

EST WT 0.21#

# APPROVED

AS DRAWN: \_\_\_\_\_  
 AS NOTED: \_\_\_\_\_  
 DATE: \_\_\_\_\_

THIS DOCUMENT AND THE CONTENTS THEREOF IS THE PROPERTY OF HARGER INC., AND IS FURNISHED TO YOU FOR INFORMATION ONLY. THE INFORMATION CONTAINED HEREIN IS CONFIDENTIAL AND OF A PROPRIETARY NATURE AND MUST NOT BE DISCLOSED TO THIRD PARTIES WITHOUT THE EXPRESS WRITTEN APPROVAL OF HARGER INC.

B	NEW DESIGN ECO 0056	042914	LAL
A	ADDED PACKAGING	070605	LAL
LET	REVISION	DATE	BY
TOLERANCES UNLESS NOTED:		3RD ANGLE PROJECTION	
FRACTIONAL +/- 1/16			
DECIMAL +/- .030			
BREAK SHARP EDGES			

**PART NO. A151121**  
 ALUMINUM RECTANGULAR HORIZONTAL BASE

DRAWN BY:  
EHS  
 CHECKED BY:  
-  
 DATE:  
071502



301 ZIEGLER DRIVE  
 GRAYSLAKE, IL 60030  
 (847) 548-8700

REVISION:  
B  
 SCALE:  
3/4  
 SHEET:  
1 OF 1